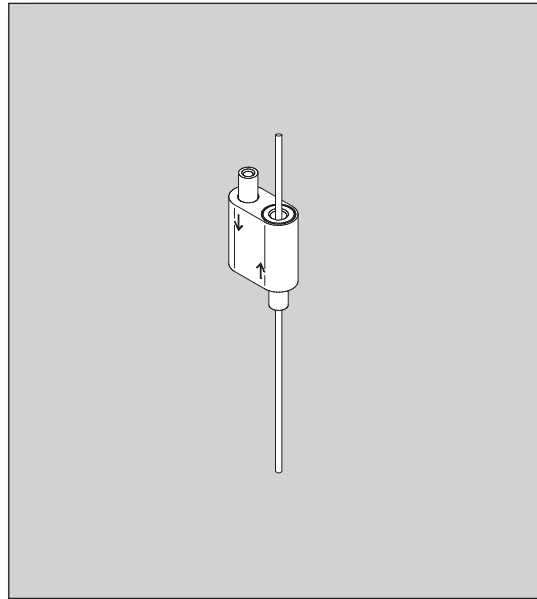
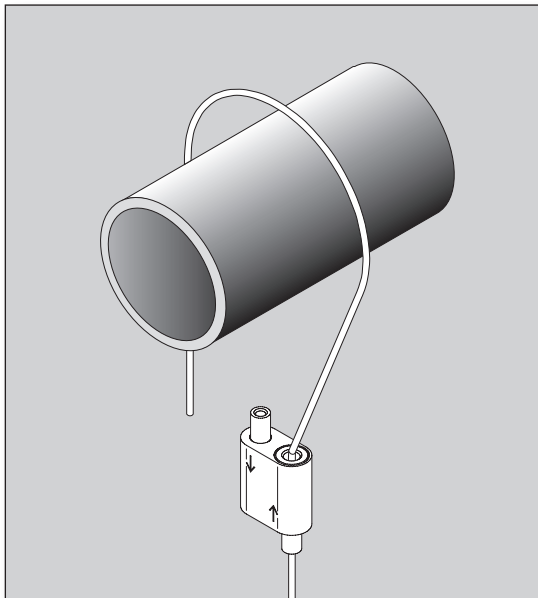


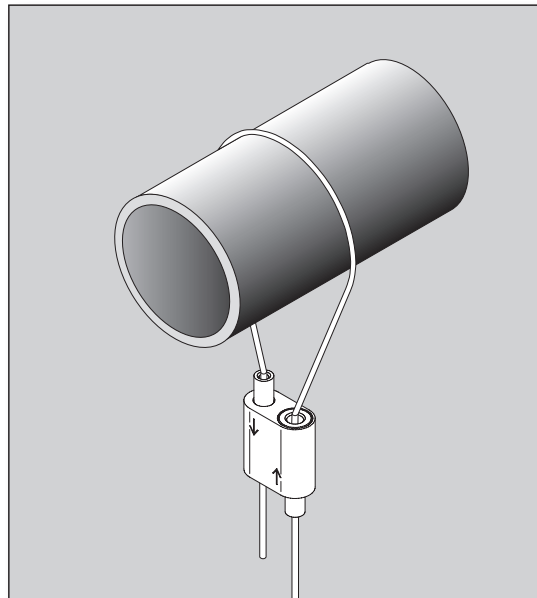
Identify a suitable pipe, conduit, ceiling truss or Unistrut, etc. that is capable of supporting the intended object.



Insert the cable as shown by the arrows.



Loop a steel cable over the supporting element and back to the hanger.



Complete by passing the cable through the second cable gripper, again in the direction of the arrows.