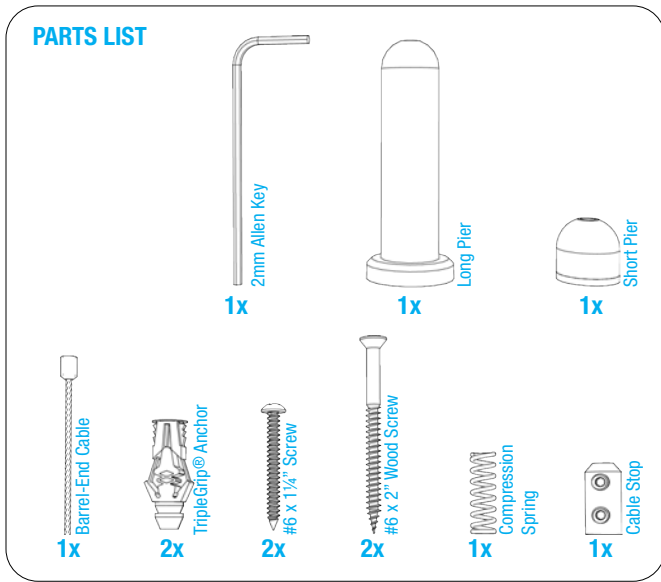
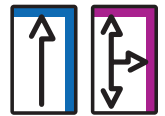


## Fixed Piers



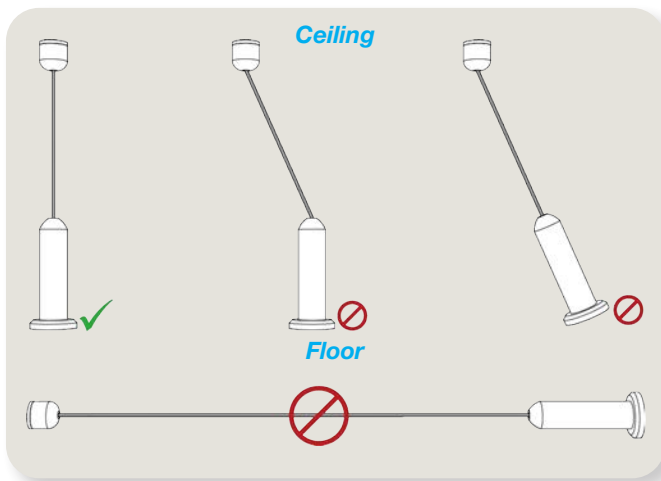
### Warning

To achieve maximum weight capacity, this assembly must be installed by fastening into structural ceiling with the appropriate fastener and the fastener is engaged 1" or more. It is the responsibility of the installer to select the correct faster for a particular installation as actual capacity is dependent upon the installation. Failure to do so may cause property damage and/or personal injury.



### NOTE

AS Hanging Display Systems offers a "Cable Trim Kit" (PN U5150AA) to cut cables without fraying them. It may be very helpful in this installation.



## 1 Background

- Fixed Piers must only be installed so that the cable is parallel to the Piers and in a vertical orientation.
- Select your fasteners carefully. Your installation will only be as strong as your upper point of attachment.
- Under no circumstance shall the upper Pier be mounted directly to suspended ceiling. However, it would be appropriate to pass the cable through a tiny hole in the tile and attach the upper Pier to structure above the suspended ceiling.

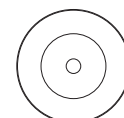
## 2 Mount Upper & Lower Pier Bases

- Mark the intended location of the upper Pier. Then, transfer that mark to the lower matching location, perhaps with a plumb bob or a laser.
- Attach upper Pier Base, the base associated with the Short Pier Body, to the upper mark.
- Repeat for lower Pier Base. Lower Pier always consists of the longer body element.

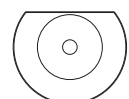


### NOTE

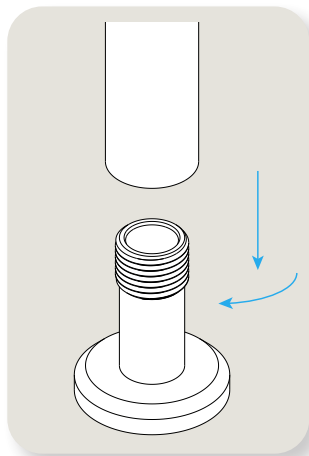
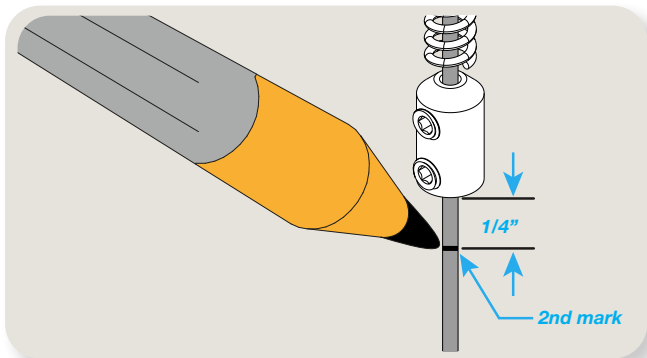
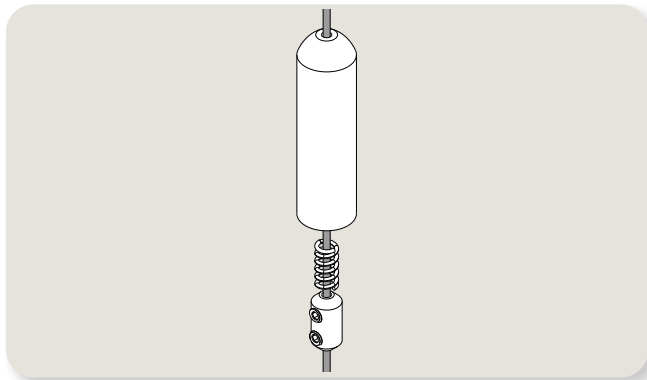
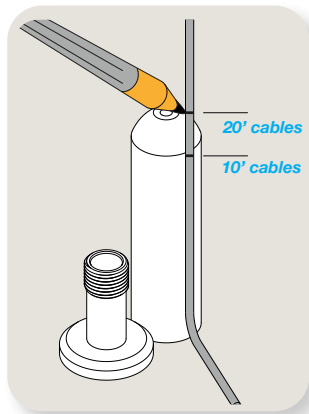
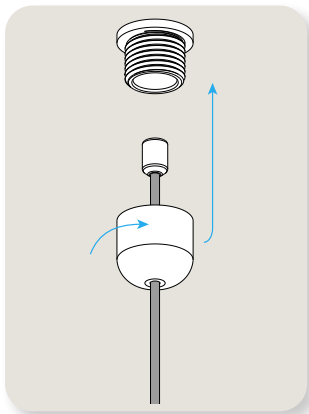
If attachment is made to gypsum panel or other soft material, use a Mounting Plate (PN U5529,U5531). Sold separately.



U5529



U5531



### 3 Install Cable & Cable Fittings

- Insert Barrel-End Cable through upper Pier Body and thread Pier Body over upper Pier Base. Finger tighten.
- With cable hanging in place, pull slack out of it and hold the cable to the floor immediately next to the lower Pier Base. Stand the lower Pier Body next to the cable. Using a fine-point marking pen, mark the cable at the shoulder of the Pier Body for 10 foot cables or at the tip of the Pier Body for 20 foot cables.
- Install hooks and fittings at this time on this cable. Only our Side Clamps, Mini Hook and Frame Stabilizer may be added to the cable after this step.
- Insert cable through lower Pier Body, Spring and Cable Stop, in that order.
- Locate the Cable Stop so that the top of the Cable Stop is at the mark you made on the cable and tighten the set-screws.

### 4 Trim Cable Length

- Using a fine-point marking pen, make a second mark about 1/4" below the bottom of the Cable Stop. Using "Super Glue" (supplied in mentioned Cable Trim Kit), apply one or two drops to the mark. Allow 5-10 minutes to dry. DO NOT proceed until completely dry.
- Cut the cable on the second mark.

### 5 Install Lower Pier

- Thread the lower Pier Body over the lower Pier Base and tighten just until the cable seems tight. It is acceptable, even appropriate, to have a gap between the Pier Body and the disc at the bottom of the lower Pier Base. This will allow you to tighten the cable in the future as it stretches. Do not over-tighten.
- The pier and body must be engaged a minimum of two full revolutions.



Occasionally check the cable to see that it is tight. Tightening may be accomplished by further turning the lower Pier Body.



**NOTE:** Short and Long Piers may be purchased and installed separately, following these instructions.

If you have any questions, please call our Customer Service Center at 866-935-6949.

ASHanging.com  
866.935.6949

© 2022 AS Hanging Display Systems  
All rights reserved  
22F-09