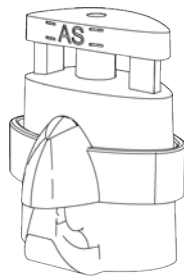


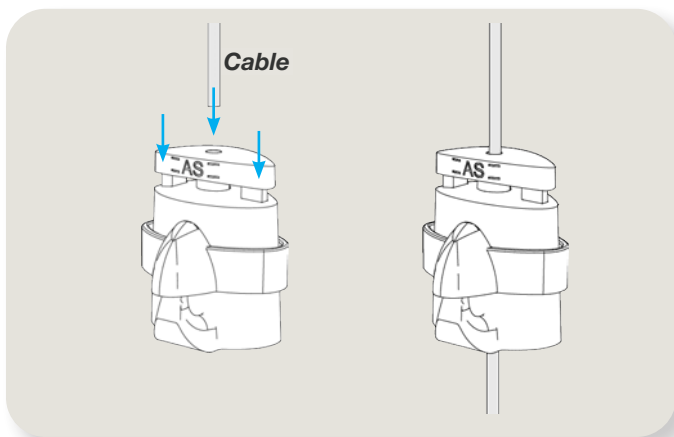
Secure Gripper Hook H3002



Warning

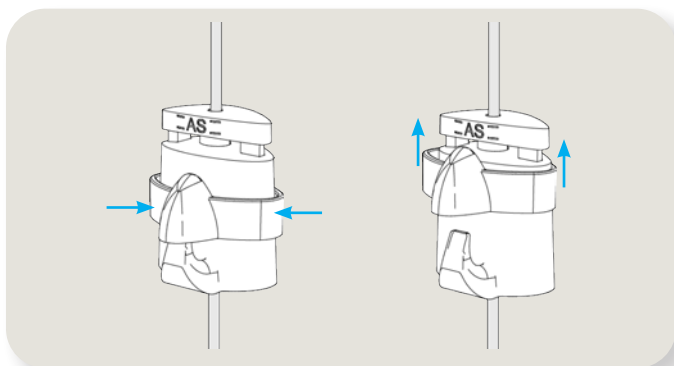
This hook may also be used without the security latch by removing it from the hook assembly prior to inserting a cable into the hook.

When used with the security latch in place this hook will counteract many of the risks from earthquakes and eventual theft event.



1 Insert Cable

- Press down the top of the hook and insert the hanging cable into the hook until it comes out through the bottom of the hook.

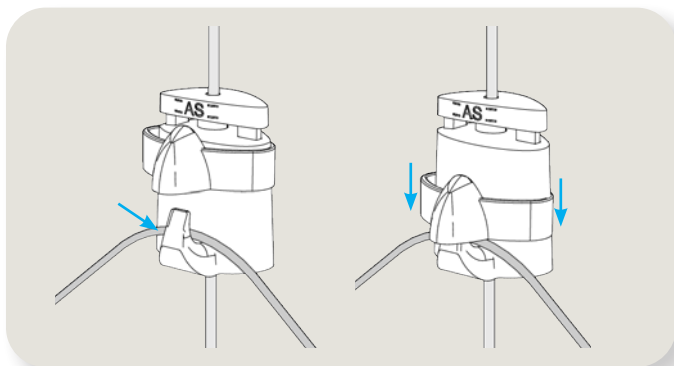


2 Security Latch

- Squeeze the sides of the security latch.
- Move released latch upward.

TIP

If you do not want to use the security latch, you must remove it before inserting the cable (step 1).



3 Frame Wire Install

- Insert the frame wire into the throat of the open hook.
- Allow the frame to rest on the hook and snap the latch in the lower position to secure the art piece.

ASHanging.com/secure-gripper-hook

ASHanging.com
866.935.6949