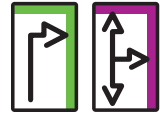


CONTEMPO® TRACK

U5600



COMPATIBILITY



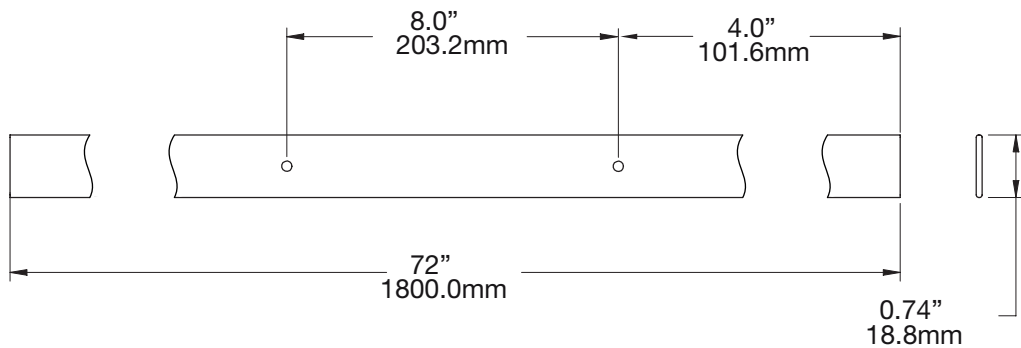
WEIGHT CAPACITY

12.5 lb/ft (18 kg/m)

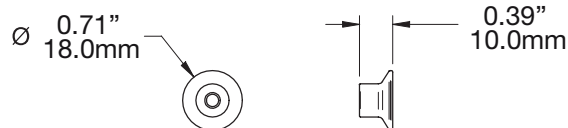
FINISH

Natural
Anodized: Silver Satin,
Champagne, Black

WALL TRACK



SPACER



NOTE

Includes nine (9x) each Contempo® Spacer; #6 x 2" colored screws (painted to match the track color) and TripleGrip™ anchors.

ASHanging.com
866.935.6949