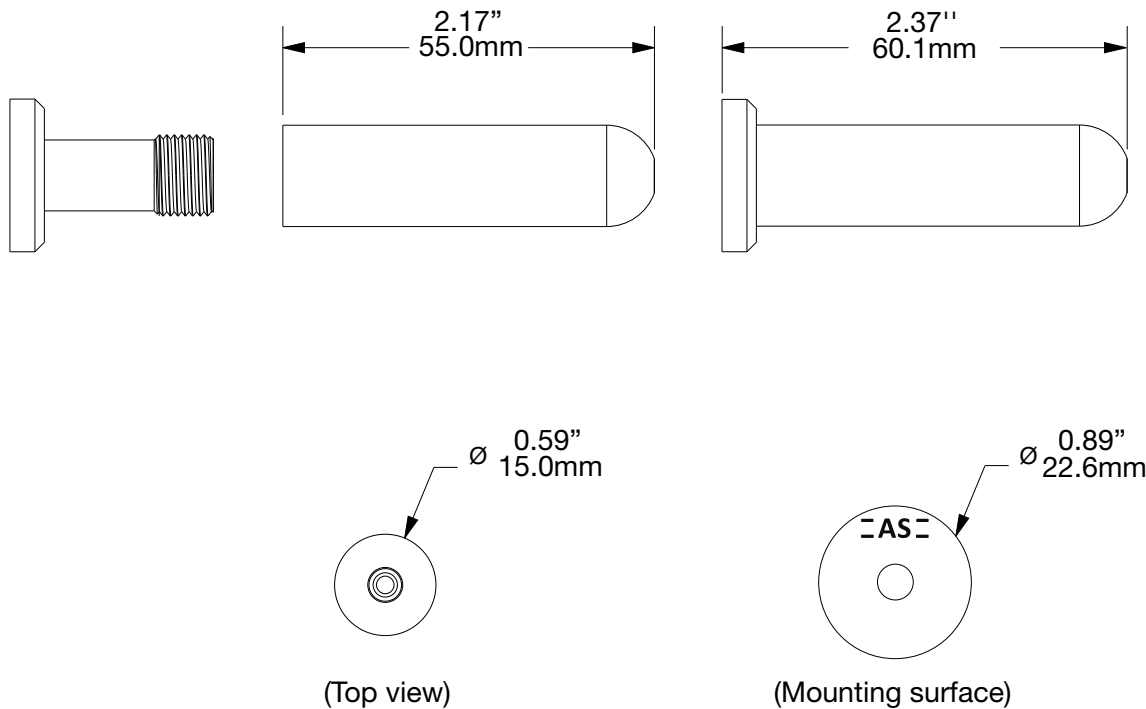
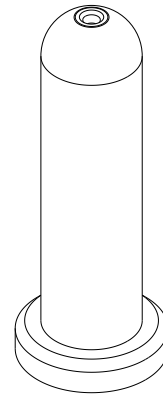




**FIXED PIER, LONG**  
U5546



**FINISH**

Anodized: Silver, Black  
(over machined aluminum)

**INCLUDES**

Long (lower) Pier and mounting hardware.  
(#6 x 2 in. wood screw, #6 x 1 1/4 in. sheet metal screw and TripleGrip™ anchor)

**NOTE**

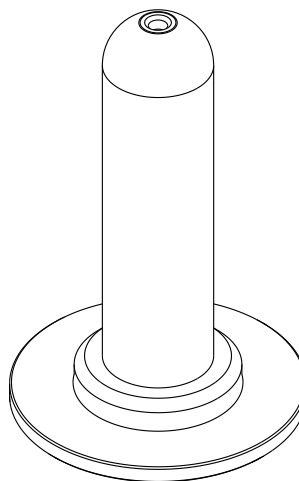
The Fixed Pier, Long is rated for 150 lbs. when installed by fastening into structural wood with the appropriate fastener and the fastener is engaged 1" or more into lumber. However, the weight capacity of an individual pier/steel cable combination may be as low as 10 lbs., or less (static load), depending on the mounting hardware and installation technique. Actual capacity is dependent upon the installation. It is the responsibility of the installer to select the correct fastener for a particular installation.

ASHanging.com  
866.935.6949



**FIXED PIER, LONG,  
W/ MOUNTING  
PLATE TYPE 1**

U5547



**FINISH**

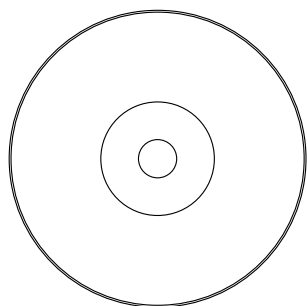
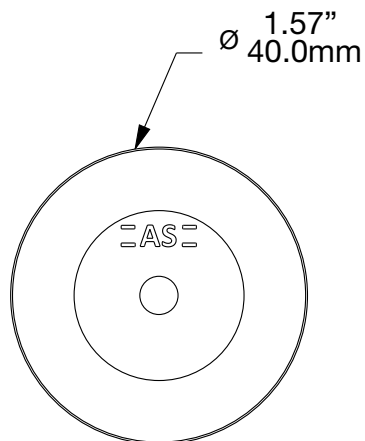
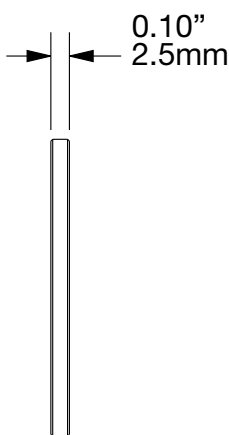
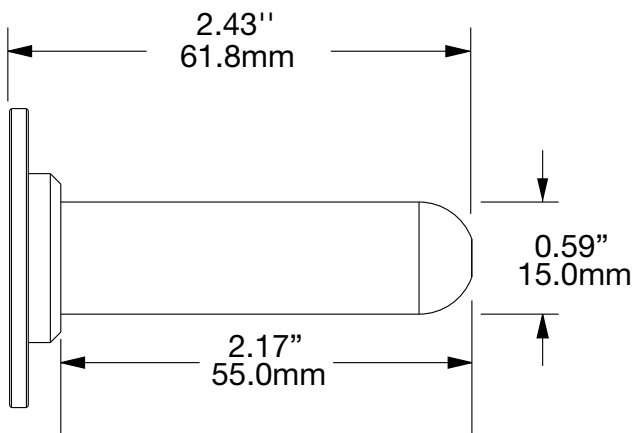
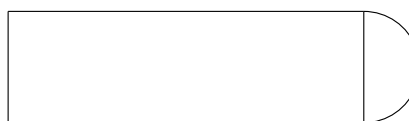
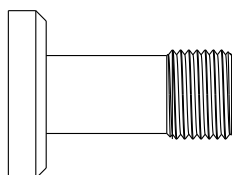
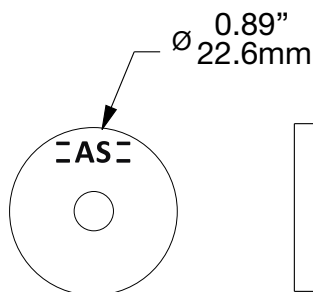
Anodized: Silver, Black  
(over machined aluminum)

**INCLUDES**

Long (lower) Pier, Mounting Plate Type 1, and mounting hardware. (#6 x 2 in. wood screw, #6 x 1 1/4 in. sheet metal screw, Triple-Grip™ anchor, Spring Toggle Bolt).

**NOTE**

The Fixed Pier, Long is rated for 150 lbs. when installed by fastening into structural wood with the appropriate fastener and the fastener is engaged 1" or more into lumber. However, the weight capacity of an individual pier/steel cable combination may be as low as 10 lbs., or less (static load), depending on the mounting hardware and installation technique. Actual capacity is dependent upon the installation. It is the responsibility of the installer to select the correct fastener for a particular installation.



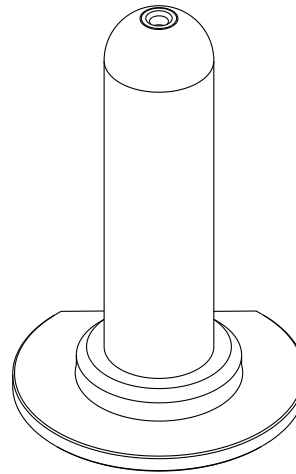
(Mounting surface)

ASHanging.com  
866.935.6949



**FIXED PIER, LONG,  
W/ MOUNTING  
PLATE TYPE 2**

U5548



**FINISH**

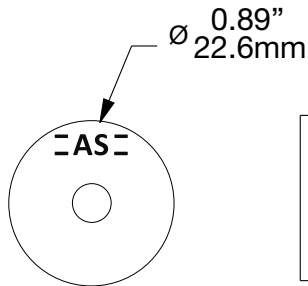
Anodized: Silver, Black  
(over machined aluminum)

**INCLUDES**

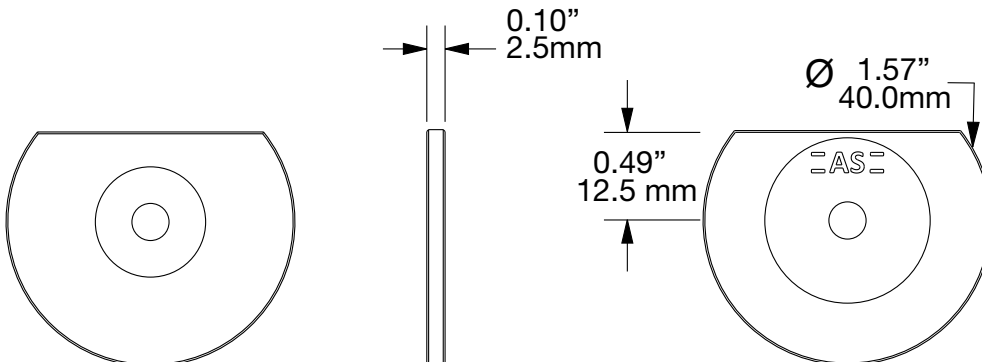
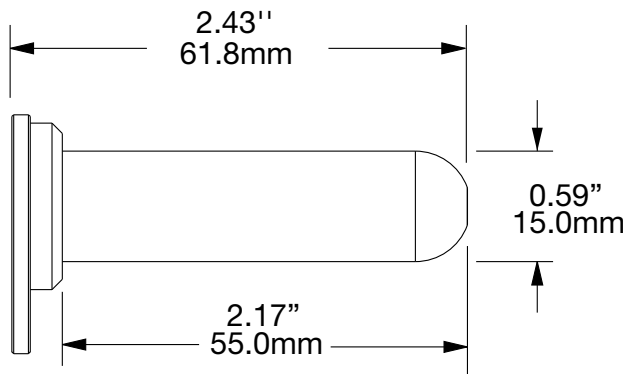
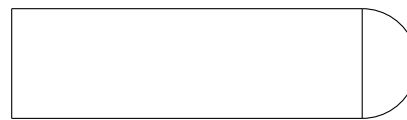
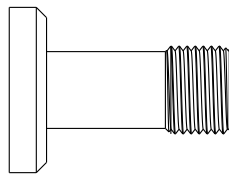
Long (lower) Pier, Mounting Plate Type 2, and mounting hardware. (#6 x 2 in. wood screw, #6 x 1 1/4 in. sheet metal screw, Triple-Grip™ anchor, Spring Toggle Bolt).

**NOTE**

The Fixed Pier, Long is rated for 150 lbs. when installed by fastening into structural wood with the appropriate fastener and the fastener is engaged 1" or more into lumber. However, the weight capacity of an individual pier/steel cable combination may be as low as 10 lbs., or less (static load), depending on the mounting hardware and installation technique. Actual capacity is dependent upon the installation. It is the responsibility of the installer to select the correct fastener for a particular installation.



Ø 0.89"  
22.6mm



ASHanging.com  
866.935.6949