

FIXED PIER, SHORT
U5541

FINISH

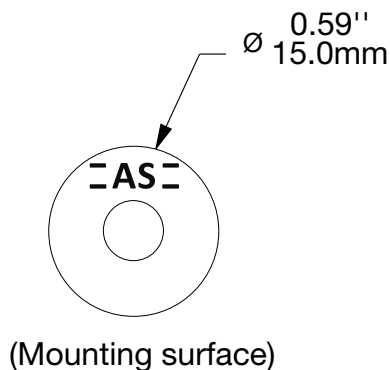
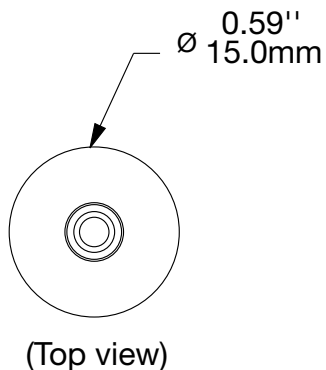
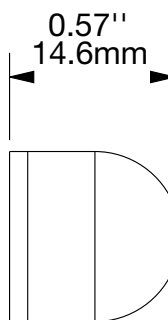
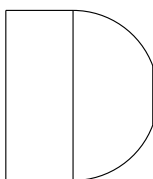
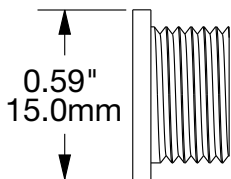
Anodized: Silver, Black
(over machined aluminum)

INCLUDES

Short (upper) Pier and mounting hardware.
(#6 x 2 in. wood screw,
#6 x 1¼ in. sheet metal screw
and TripleGrip™ anchor)

NOTE

The Fixed Pier, Short is rated for 150 lbs. when installed by fastening into structural wood with the appropriate fastener and the fastener is engaged 1" or more into lumber. However, the weight capacity of an individual pier/steel cable combination may be as low as 10 lbs., or less (static load), depending on the mounting hardware and installation technique. Actual capacity is dependent upon the installation. It is the responsibility of the installer to select the correct fastener for a particular installation.

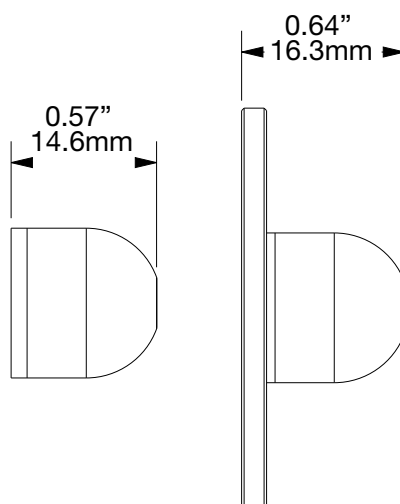
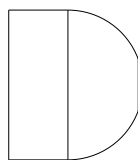
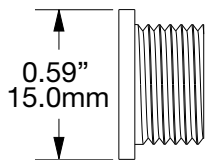
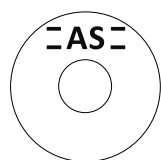
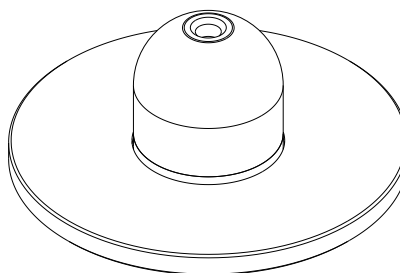


ASHanging.com
866.935.6949



FIXED PIER, SHORT, W/ MOUNTING PLATE TYPE 1

U5542



FINISH

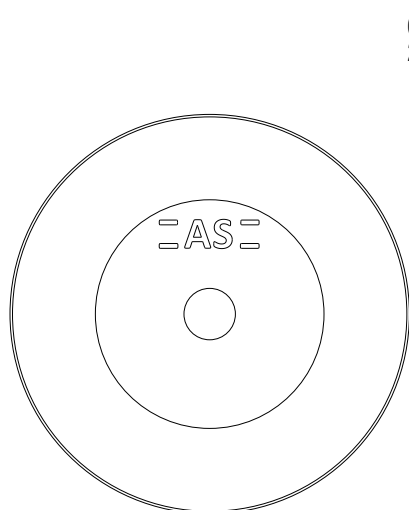
Anodized: Silver, Black (over machined aluminum)

INCLUDES

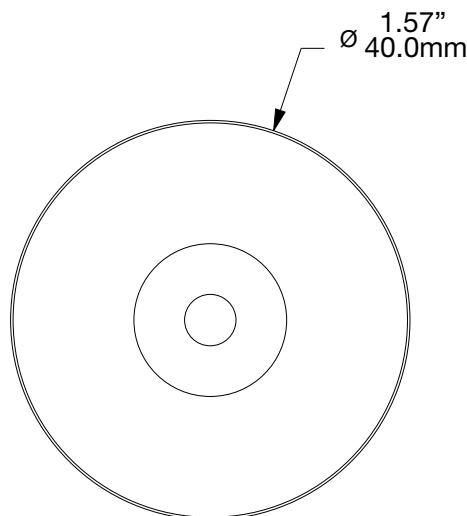
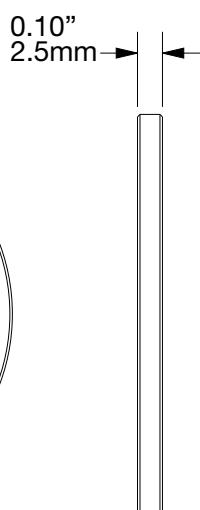
Short (upper) Pier, Mounting Plate Type 1, and mounting hardware. (#6 x 2 in. wood screw, #6 x 1 1/4 in. sheet metal screw, Triple-Grip™ anchor, Spring Toggle Bolt).

NOTE

The Fixed Pier, Short is rated for 150 lbs. when installed by fastening into structural wood with the appropriate fastener and the fastener is engaged 1" or more into lumber. However, the weight capacity of an individual pier/steel cable combination may be as low as 10 lbs., or less (static load), depending on the mounting hardware and installation technique. Actual capacity is dependent upon the installation. It is the responsibility of the installer to select the correct fastener for a particular installation.



(Mounting surface)

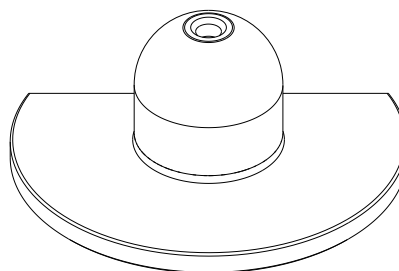


ASHanging.com
866.935.6949



**FIXED PIER, SHORT,
W/ MOUNTING
PLATE TYPE 2**

U5543



FINISH

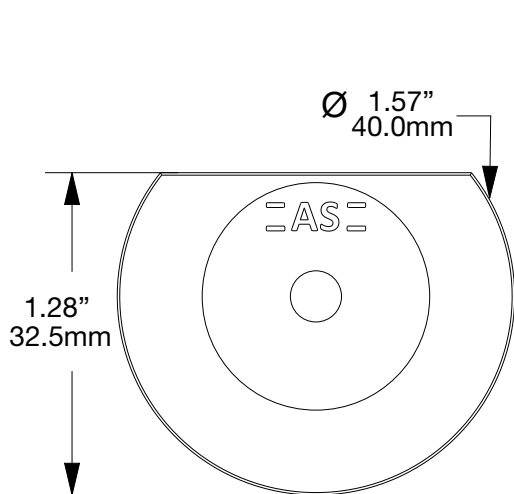
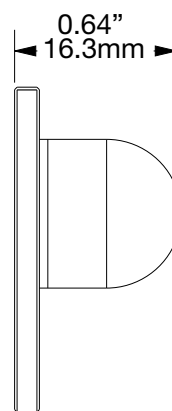
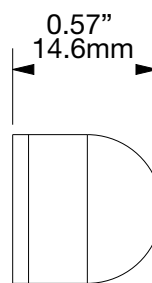
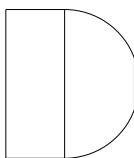
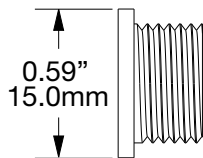
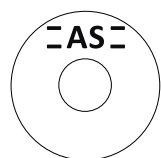
Anodized: Silver, Black
(over machined aluminum)

INCLUDES

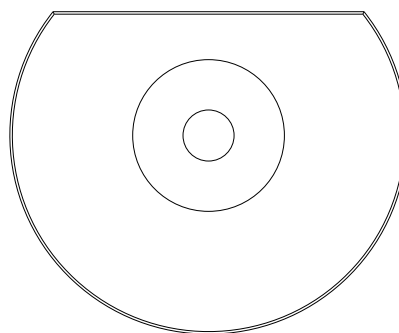
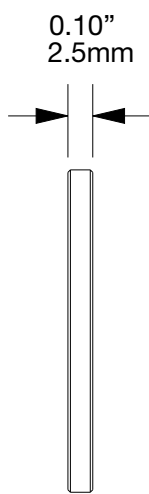
Short (upper) Pier, Mounting Plate Type 2, and mounting hardware. (#6 x 2 in. wood screw, #6 x 1 1/4 in. sheet metal screw, Triple-Grip™ anchor, Spring Toggle Bolt).

NOTE

The Fixed Pier, Short is rated for 150 lbs. when installed by fastening into structural wood with the appropriate fastener and the fastener is engaged 1" or more into lumber. However, the weight capacity of an individual pier/steel cable combination may be as low as 10 lbs., or less (static load), depending on the mounting hardware and installation technique. Actual capacity is dependent upon the installation. It is the responsibility of the installer to select the correct fastener for a particular installation.



(Mounting surface)



ASHanging.com
866.935.6949