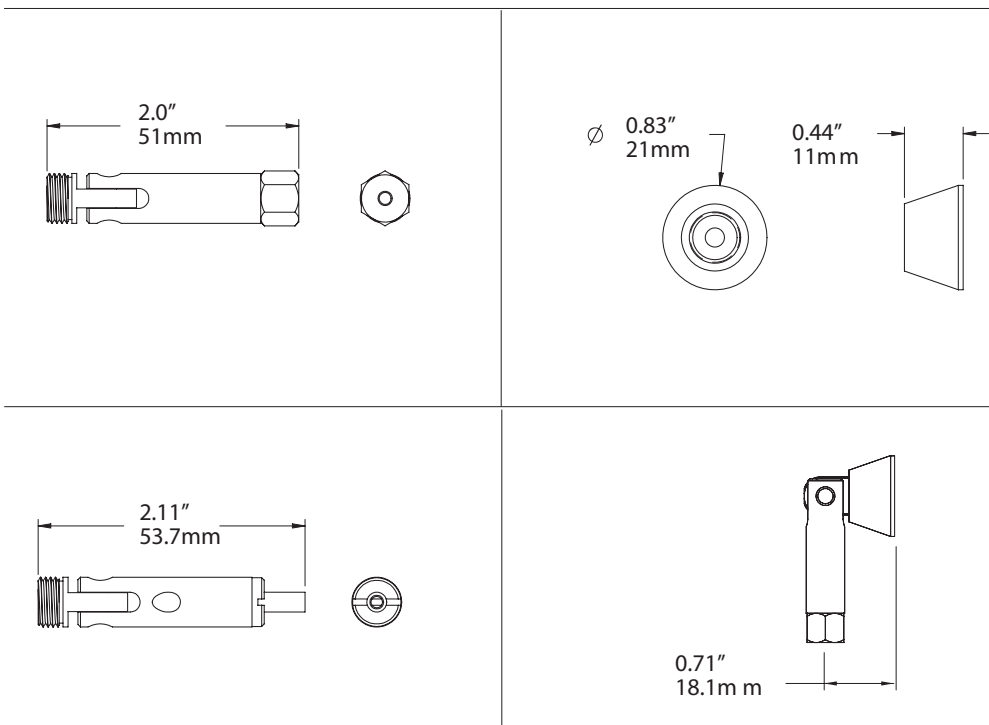


**PAIR (2 SETS)**  
**ARTICULATED PIER**  
**POINT-TO-POINT SET**  
**U5522**

**WEIGHT CAPACITY**  
 33 lbs.  
 15 Kg

**FINISH**  
 Brushed nickel

**INCLUDES**  
 Upper and Lower Piers,  
 10 ft. cable, mounting  
 hardware, other fittings.



**NOTE**  
 The weight capacity of an individual pier/steel cable may be as low as 10 lbs. or less, or as high as 100 lbs. (static load), depending on the mounting hardware and installation technique. Actual capacity is dependent upon the installation.

ASHanging.com  
 866.935.6949