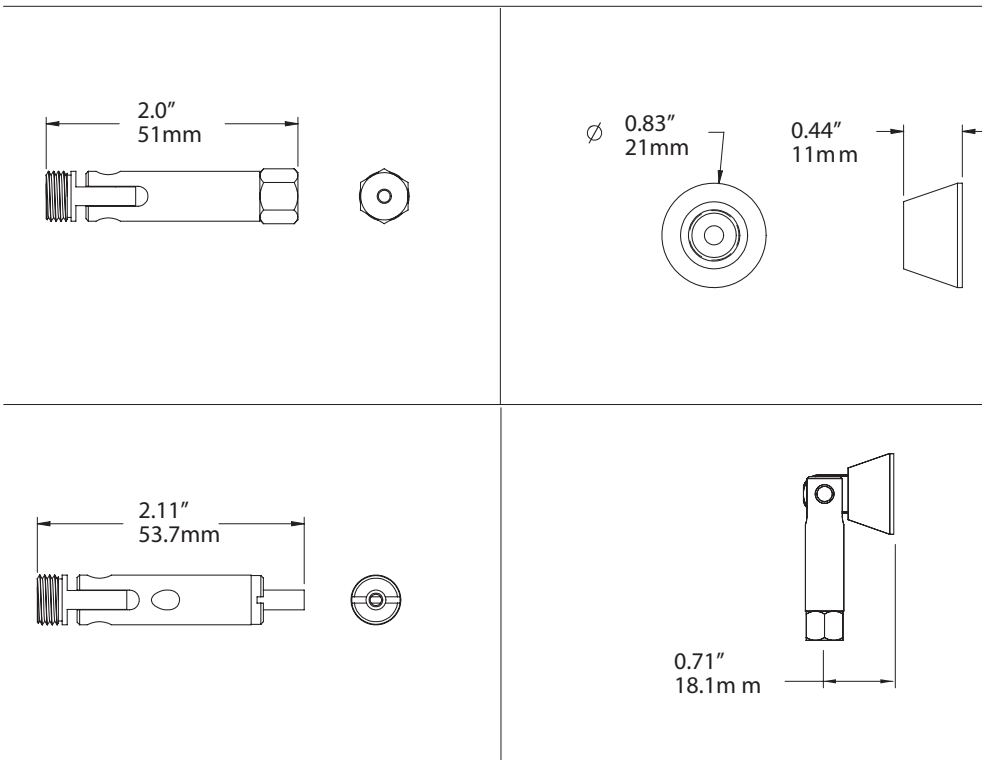


ARTICULATED PIER POINT-TO-POINT SET U5520

WEIGHT CAPACITY
33 lbs.
15 Kg

FINISH
Brushed nickel

INCLUDES
Upper and Lower Piers,
10 ft. cable, mounting
hardware, other fittings.



NOTE
The weight capacity of an individual pier/steel cable may be as low as 10 lbs. or less, or as high as 100 lbs. (static load), depending on the mounting hardware and installation technique. Actual capacity is dependent upon the installation.

ASHanging.com
866.935.6949