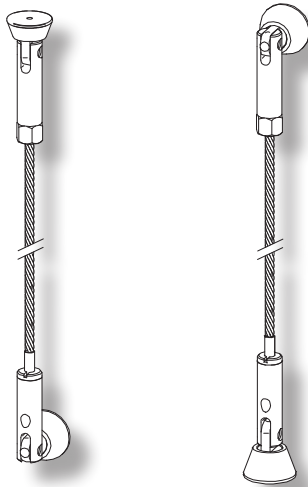
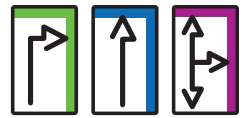


Articulated Piers U5520/U5522



Warning

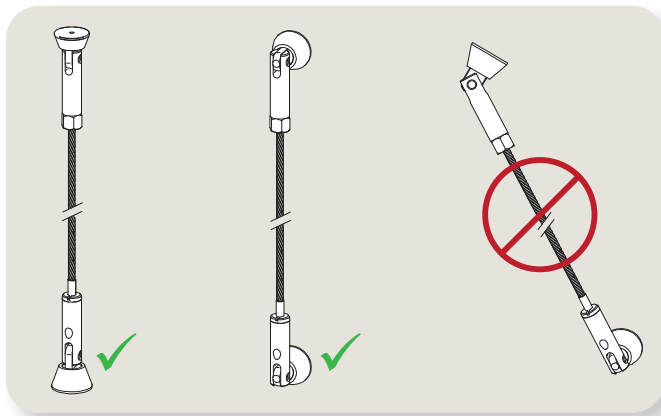
It is the responsibility of the installer to select the correct fastener for a particular installation.

Failure to do so may cause property damage and/or personal injury.



NOTE

AS Hanging Display Systems offers a "Cable Trim Kit" (PN U5150AA) for your convenience and it may be very helpful in this installation.



1 Background

- Articulated Piers may be mounted in any combination of ceiling, wall and floor and shall only be installed so that the cable is in a vertical orientation and aligned in axis with the piers.
- Select your fasteners carefully. Your installation will only be as strong as your upper point of attachment.



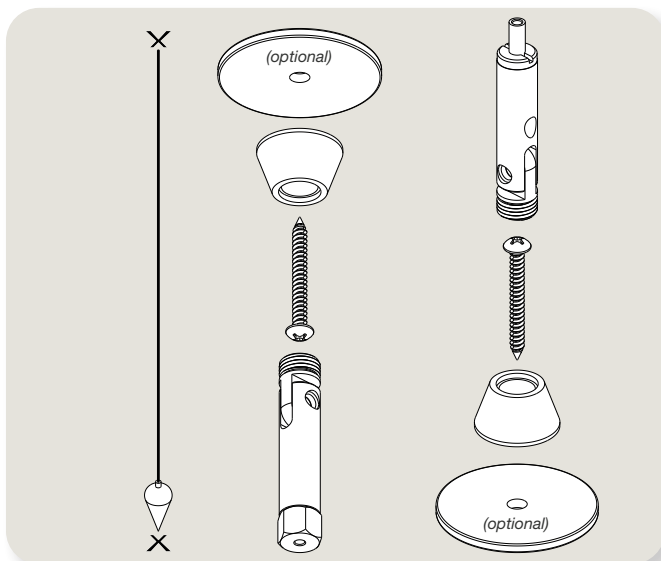
NOTE

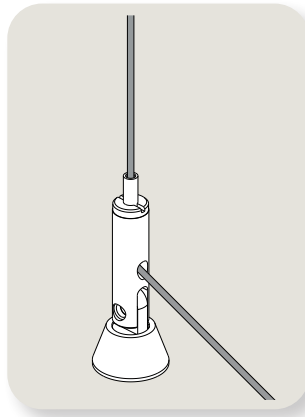
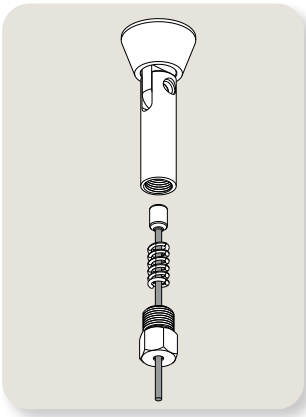
The pier with the hex nut cap must always be used in the upper location.

- Under no circumstance shall the upper pier be mounted directly to suspended ceiling tiles. However, it would be appropriate to pass the cable through a tiny hole in the tile and attach the upper pier to a structure above the suspended ceiling.

2 Mount Upper & Lower Pier Bases

- Mark the intended location of the upper pier. Then, transfer that mark to the lower matching location, perhaps with a plumb bob.
- Attach upper Pier Base, to the upper mark. If attachment is made to gypsum board or other soft material, use a Decorative Mounting Plate (PN U5527), sold separately.
- Repeat for lower Pier Base.
- Attach upper pier and lower pier to their respective base locations. Finger tighten.





3 Install Cable & Cable Fittings

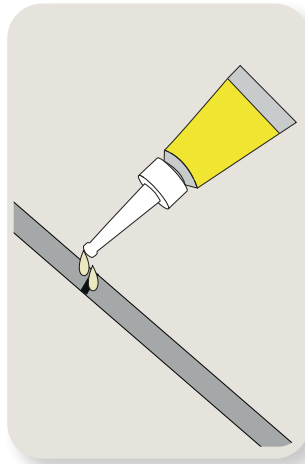
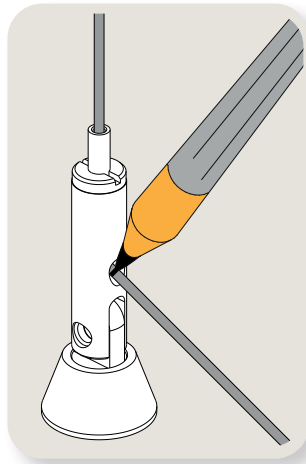
- Insert Cable through spring and upper pier hex cap nut and thread cap nut onto pier for 2 complete revolutions. About 5 threads on the hex nut will remain visible.



NOTE

Now is the time to anticipate the quantity of hooks and fittings you will require on this cable. Only our Side Clamps, Slotted Mini Hook and Slotted Frame Stabilizer may be added to the cable after this step. Install the hooks at this time.

- Insert bare end of cable into the top of lower pier (self-gripping pier). Cable will exit the pier at the side. Pull the cable tight. Self-gripping mechanism should hold the cable tightly.



4 Trim and Tighten Cable

- With a fine-point marking pen, mark the cable at the point where it just exists the side hole. Then, depress the tip of the lower pier and back the cable out of the pier.
- Using cyanoacrylate adhesive (supplied in mentioned Cable Trim Kit), apply one or two drops to the mark, and as much as 1/8" on both sides of the mark. Allow 2 - 5 minutes to dry. DO NOT proceed until completely dry.
- Cut the cable on the mark and fully reinsert the cable into pier by pushing on the cable with some pressure.
- Tighten the cable by rotating the upper pier hex nut clockwise. Finger tighten should be satisfactory. It is acceptable, even appropriate, to have a gap between the upper Pier Body and the hex cap nut. This will allow you to tighten the cable in the future as it stretches. Do not over-tighten.

5 Recheck Occasionally

- Occasionally check the cable to see that it is tight. Tightening may be accomplished by pushing the cable further into the pier and/or by further turning the hex cap.

