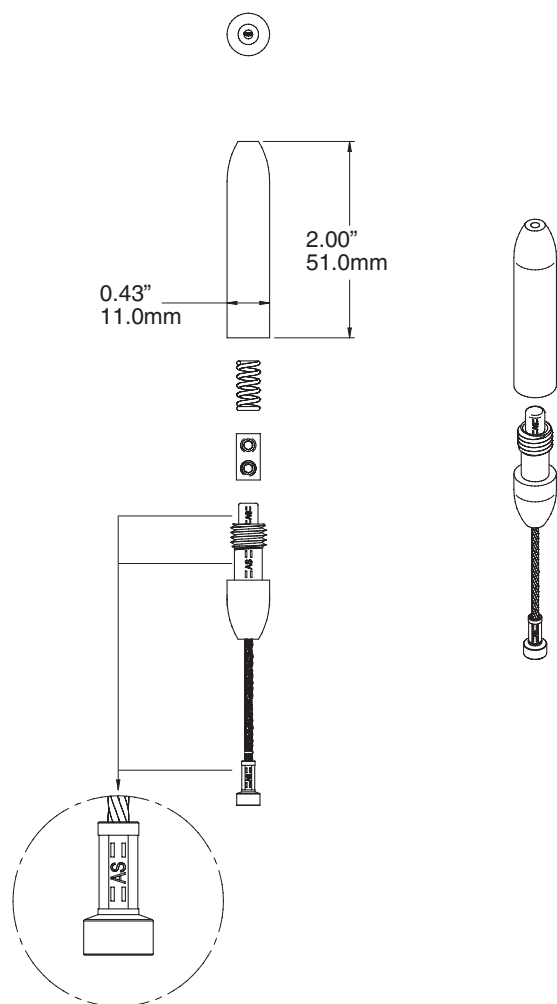
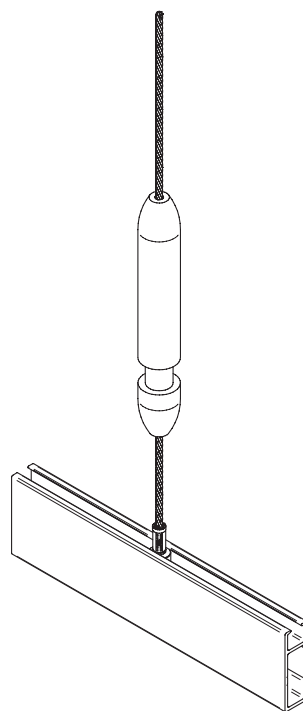




Assembly Drawing



Suggested Application



T-END CABLE TENSIONER

U5495



One or more of the components in this assembly are patented.

COMPATIBILITY

The company's Click Rail Track and any steel cable suspended from above.

Not to be used with nylon cords.

NOTE

Track and upper cable are not included.

ASHanging.com
866.935.6949