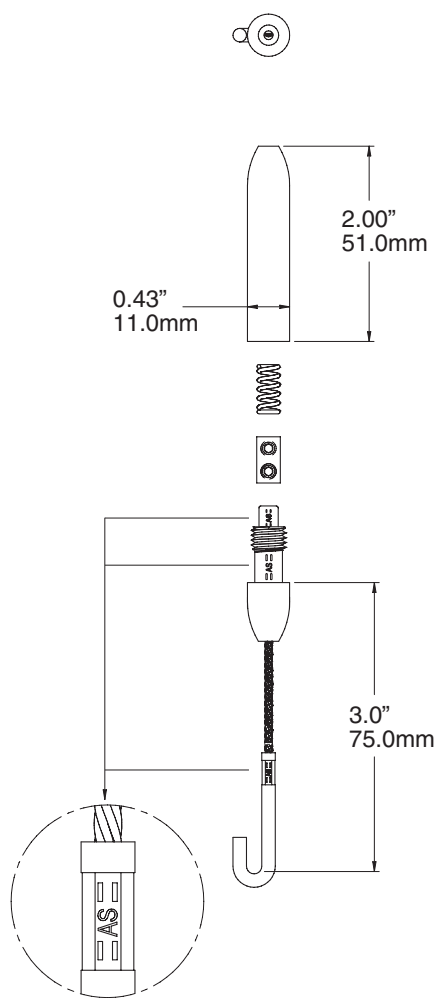
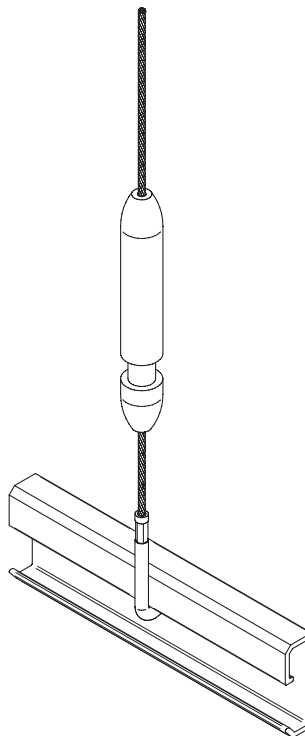




Assembly Drawing



Suggested Application



P-END CABLE TENSIONER

U5491



One or more of the components in this assembly are patented.

COMPATIBILITY

The company's Wall Track, Ceiling/Floor Track, Contempo® Track and any steel cable suspended from above.

Not to be used with nylon cords.

NOTE

Track and upper cable are not included.

ASHanging.com
866.935.6949