

DROP CEILING HANGER, EDGE MOLDING

U5350

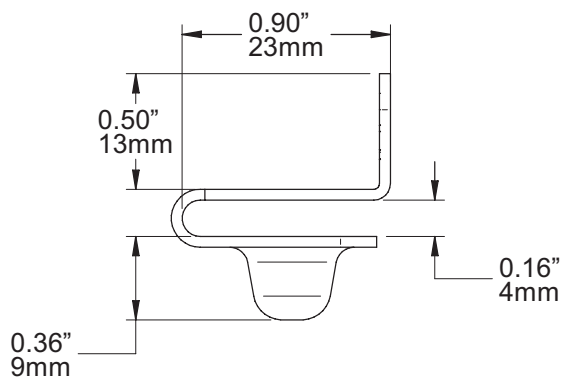
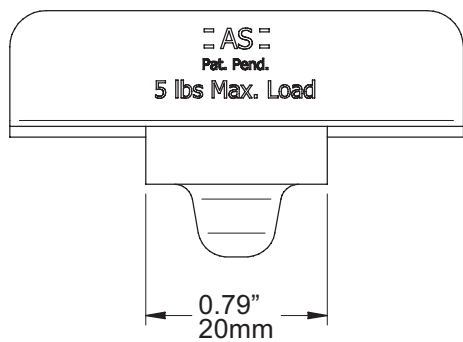
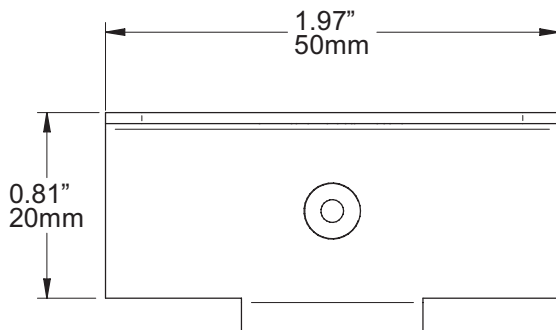


WEIGHT CAPACITY

5 lbs.
2 Kg

FINISH

White (Color formulation is an average of the color and gloss of major 3rd party grid ceiling suppliers)



ASHanging.com
866.935.6949