



**PICTURE MOLDING
HANGER, LARGE**

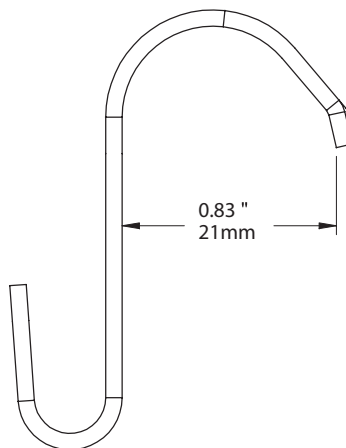
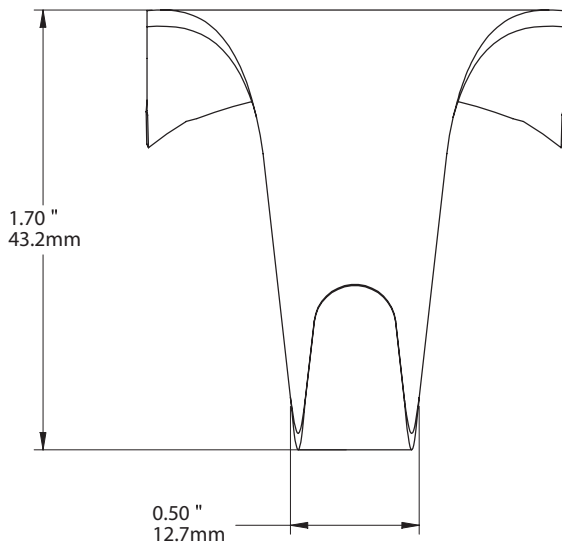
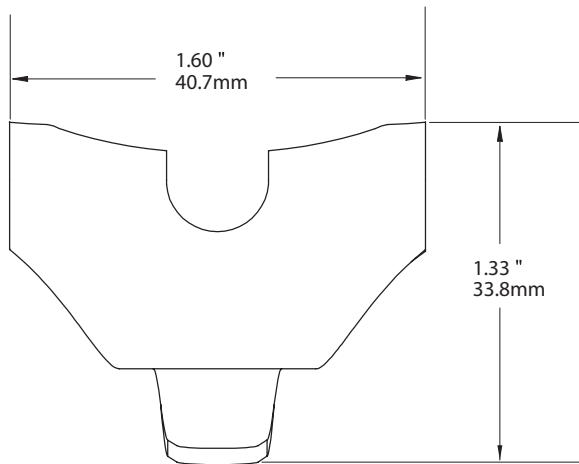
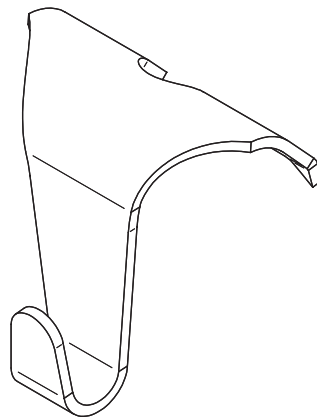
U5310

WEIGHT CAPACITY

33 lbs.
15 Kg

FINISH

Chrome, Bright Brass and
White



ASHanging.com
866.935.6949