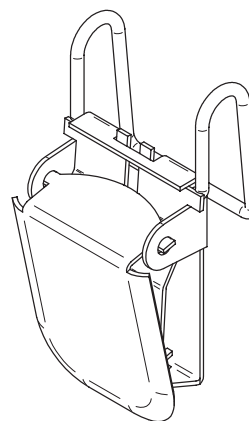




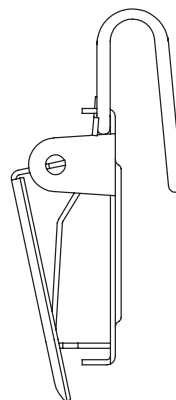
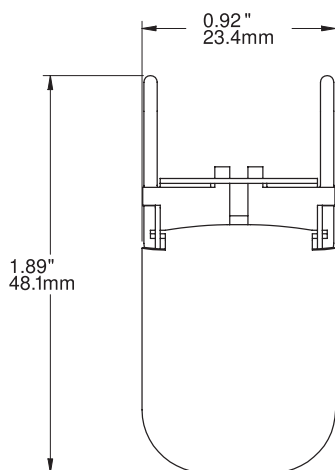
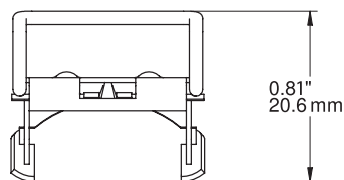
**FABRIC CLIPS**

**U5260**



**WEIGHT CAPACITY**

15 lbs.  
7 Kg



**COMPATIBILITY**

Wall Track, Ceiling Track,  
Contempo® Track

ASHanging.com  
866.935.6949