



FABRIC CLASP

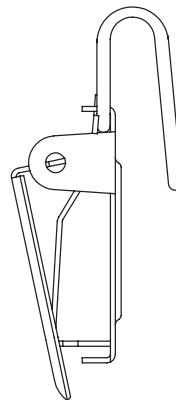
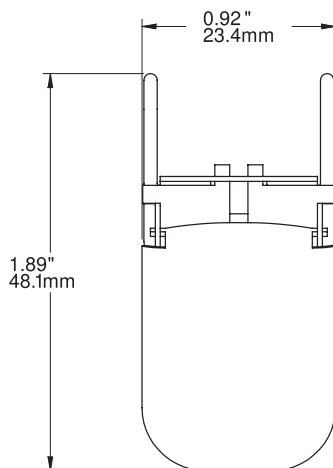
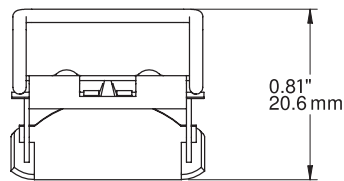
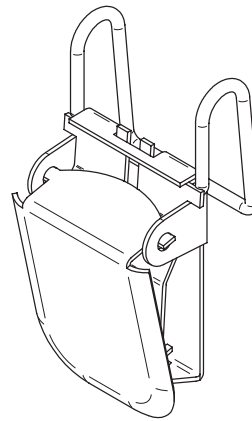
U5260

WEIGHT CAPACITY

15 lbs.
7 Kg

COMPATIBILITY

Wall Track, Ceiling Track,
Contempo® Track



ASHanging.com
866.935.6949