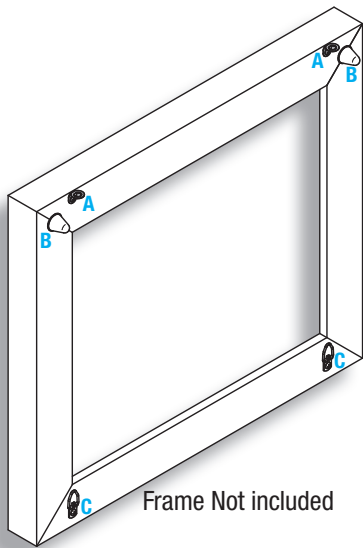


## COUNTER WEIGHT STABILIZER, ROD U5204

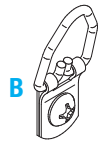


Frame Not included

### INCLUDED CONTENT



Rod Guide



D-Ring



Bumper



### Warning

It is the responsibility of the installer to select the correct fastener for a particular installation.

Failure to do so may cause property damage and/or personal injury.

## 1 Install D-Ring

- With supplied screw, or other screw of your choice, fasten D-Ring as shown to the bottom rail back-side of frame. Repeat for left/right edge.

## 2 Rod Guide

- With supplied screw, or other screw of your choice, fasten Rod Guide in-line and above the D-Ring to the top rail back-side of the frame as shown. Repeat for left/right edge.

## 3 Bumper

- Remove protective paper to reveal adhesive on rear of Bumper and apply to frame near each of the Rod Guides.

## 4 Install Rod and Hook

- Thread a rod from the top through the Rod Guide. Then through a hook of your choice. Adjust hook location and attach to the D-Ring.

