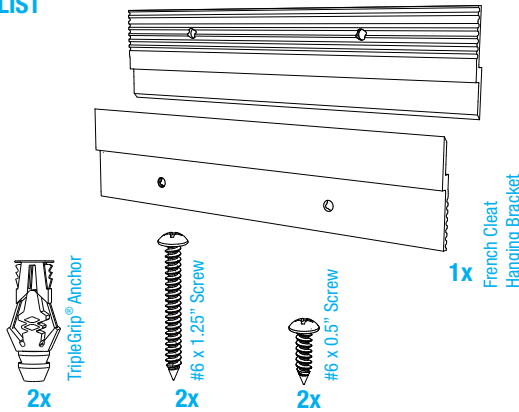


## French Cleat Hanging Bracket

U5175

U5177

### PARTS LIST

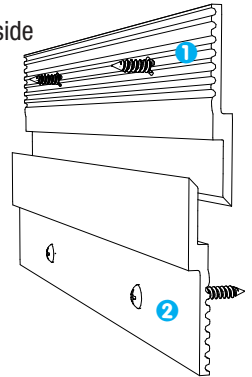


## 1 Prepare holes and Install Cleats

- Use a stud finder or drill 1/16" pilot holes to probe for wall structure.
- If no structure is present, expand the hole to 1/4" and insert supplied anchors.
- Use a level to screw the cleat on the wall to make sure it's straight.
- Screw the other part of the cleat in the back center of your frame.

**!** Make sure to screw the horizontal line pattern side of the cleat (1 and 2) against the frame and against the wall so the cleat works as expected when hanging the frame.

Screw this part on frame. 1  
Screw this part on wall. 2



## 2 Install frame

- Once both Cleats have been properly installed, simply slide the lip of the cleat that's screwed on the frame, into the lip of the cleat that's installed on the wall.
- If everything is leveled, the frame should appear straight.

[ASHanging.com/french-cleat-hanging-bracket](http://ASHanging.com/french-cleat-hanging-bracket)

If you have any questions, please call our Customer Service Center at 866-935-6949.

ASHanging.com  
866.935.6949

© 2026 AS Hanging Display Systems  
All rights reserved  
26C-05