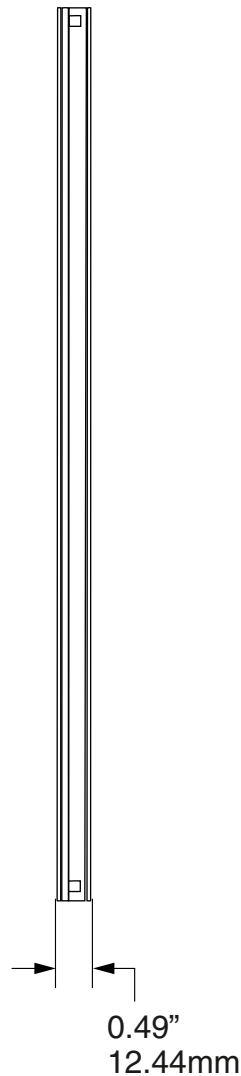
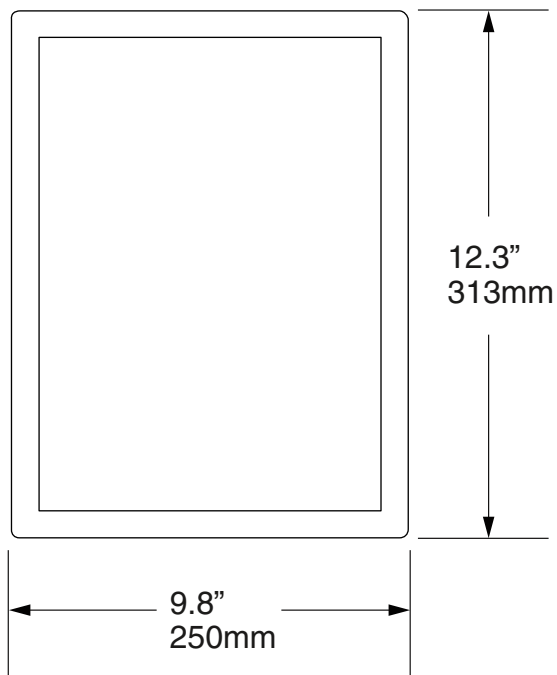
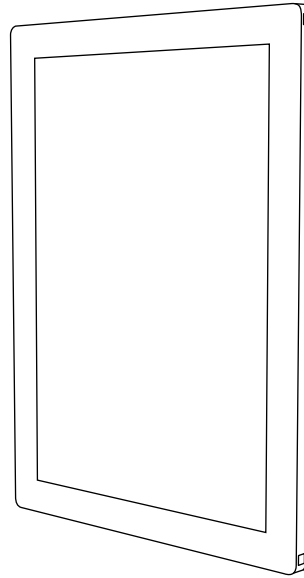




**DISPLAY IT LED PANEL - LETTER (8,5 X 11), 9W K5015**

**ORIENTATIONS**  
Portrait, Landscape

**VOLTAGE (V)**, 24 V  
**POWER (WATT)**, 9 W / pcs  
**BRIGHTNESS (LUX)**, 3000 Lux  
**LIFE TIME (HRS)**, 50.000 hrs  
**WEIGHT (KGS)**, 1.20 kg / pcs



ASHanging.com  
866.935.6949