

CASSO® DISPLAY RAIL II, LABEL FRAME

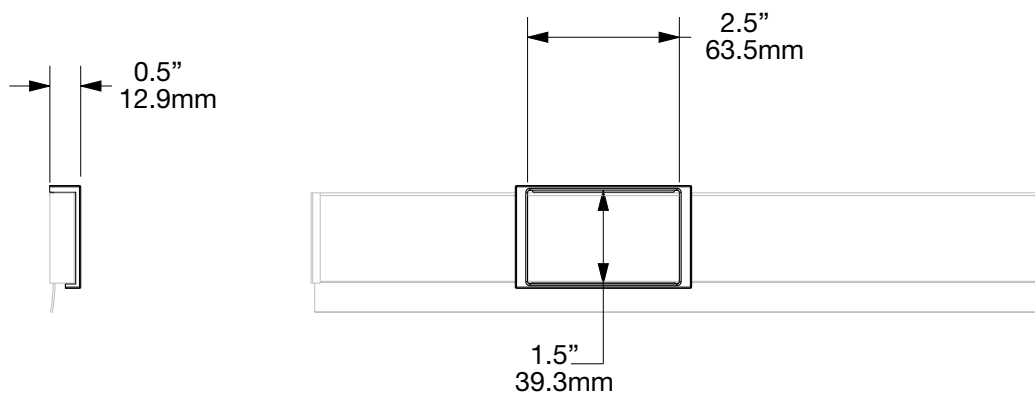
K3120

COMPATIBILITY

Label Frame is compatible with all lengths and colors of Casso Display Rail II. Labels 1.5" x 2.5".

INCLUDES

Casso Display Rail II Label Frame, acetate label protector/cover.



ASHanging.com
866.935.6949