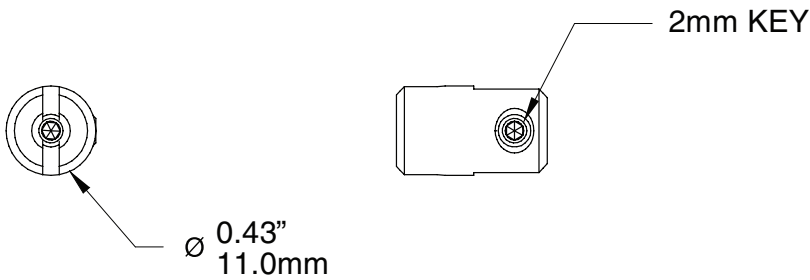
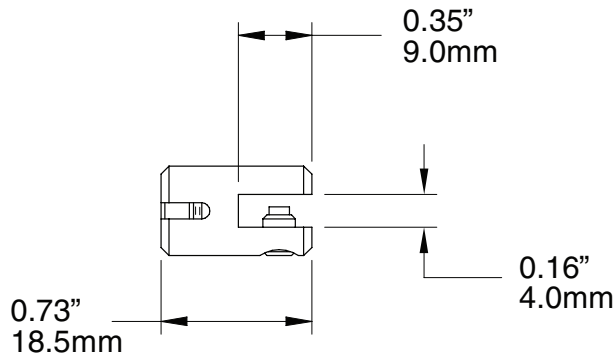


**PRO SIDE CLAMP,  
SINGLE SIDED,  
SMALL**  
H3050

**WEIGHT CAPACITY\***  
20 lbs.  
9 Kg

**FINISH**  
Anodized, Brushed aluminum  
Set screws are stainless steel

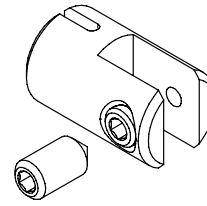


**NOTE**  
Supplied with both nylon tipped and cone tipped set screws for mounting display panels via surface clamping or through holes, respectively.

Through holes should be 5.0 mm or 3/16" in diameter.

\*This is the connection between clamp and a steel cable. With all the variables in display panel substrate we cannot anticipate the potential strength of the clamp/panel connection.

ASHanging.com  
866.935.6949



**PRO SIDE CLAMP,  
SINGLE SIDED,  
MEDIUM**

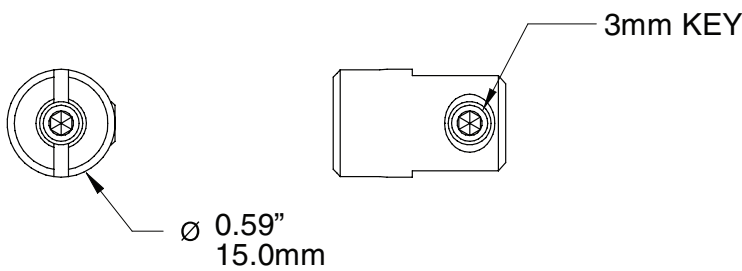
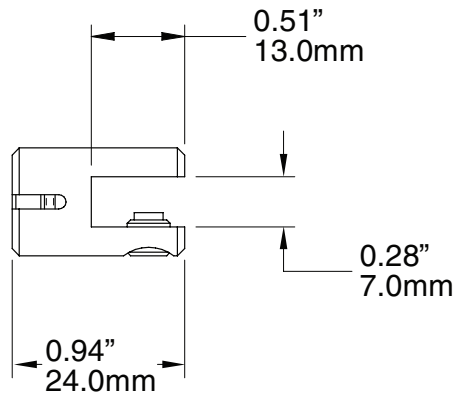
H3051

**WEIGHT CAPACITY\***

30 lbs.  
13.5 Kg

**FINISH**

Anodized, Brushed aluminum  
Set screws are stainless steel



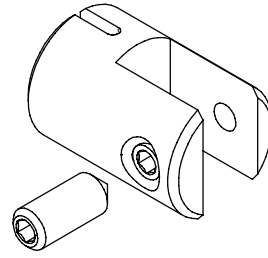
**NOTE**

Supplied with both nylon tipped and cone tipped set screws for mounting display panels via surface clamping or through holes, respectively.

Through holes should be 7.0 mm or 9/32" in diameter.

\*This is the connection between clamp and a steel cable. With all the variables in display panel substrate we cannot anticipate the potential strength of the clamp/panel connection.

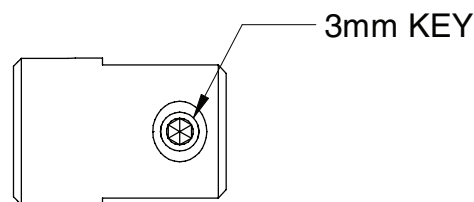
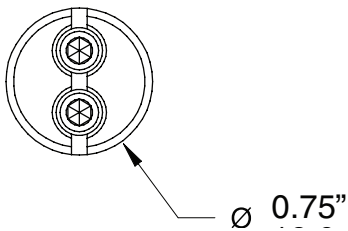
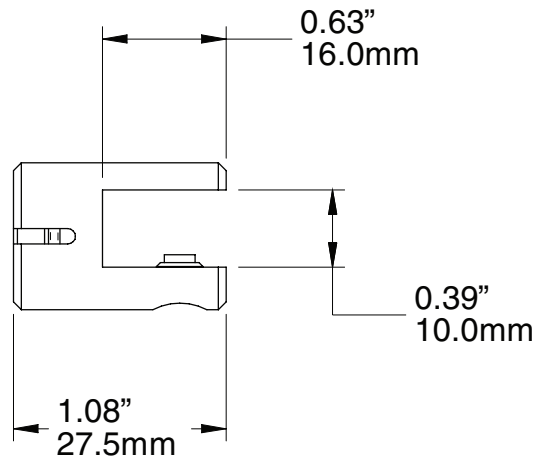
ASHanging.com  
866.935.6949



**PRO SIDE CLAMP,  
SINGLE SIDED,  
LARGE  
H3052**

**WEIGHT CAPACITY\***  
40 lbs.  
18 Kg

**FINISH**  
Anodized, Brushed aluminum  
Set screws are stainless steel



**NOTE**  
Supplied with both nylon tipped and cone tipped set screws for mounting display panels via surface clamping or through holes, respectively.

Through holes should be 7.0 mm or 9/32" in diameter.

\*This is the connection between clamp and a steel cable. With all the variables in display panel substrate we cannot anticipate the potential strength of the clamp/panel connection.

ASHanging.com  
866.935.6949