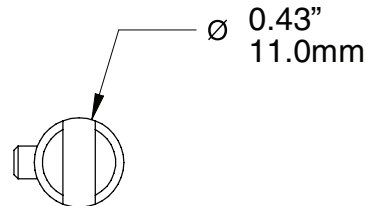
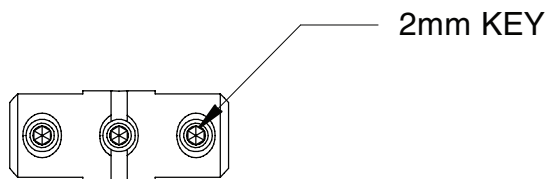
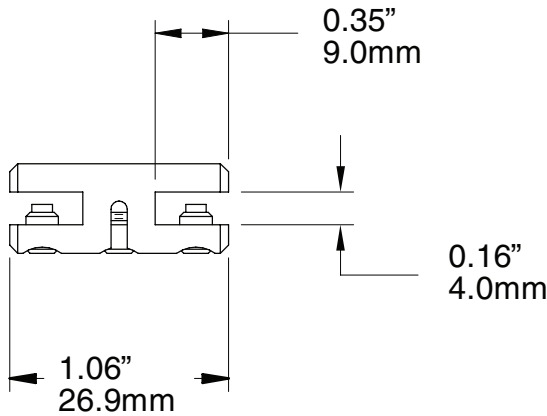


**PRO SIDE CLAMP,  
DOUBLE SIDED,  
SMALL**  
H3055



**WEIGHT CAPACITY\***  
20 lbs.  
90 Kg

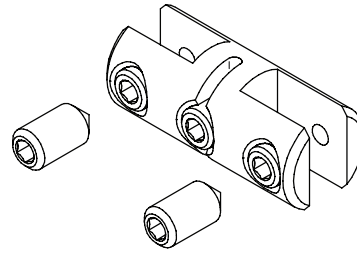
**FINISH**  
Anodized, Brushed aluminum  
Set screws are stainless steel

**NOTE**  
Supplied with both nylon tipped and cone tipped set screws for mounting display panels via surface clamping or through holes, respectively.

Through holes should be 5.0 mm or 3/16" in diameter.

\*This is the connection between clamp and a steel cable. With all the variables in display panel substrate we cannot anticipate the potential strength of the clamp/panel connection.

ASHanging.com  
866.935.6949



**PRO SIDE CLAMP,  
DOUBLE SIDED,  
MEDIUM**

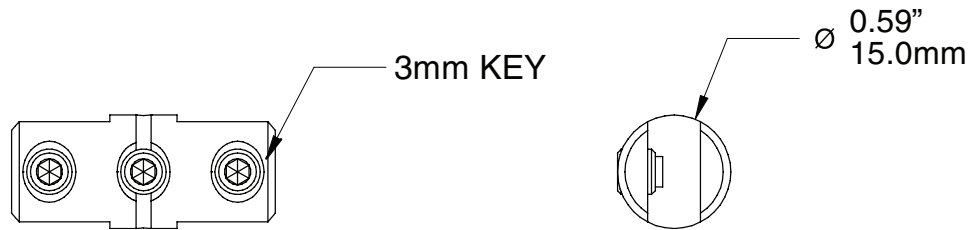
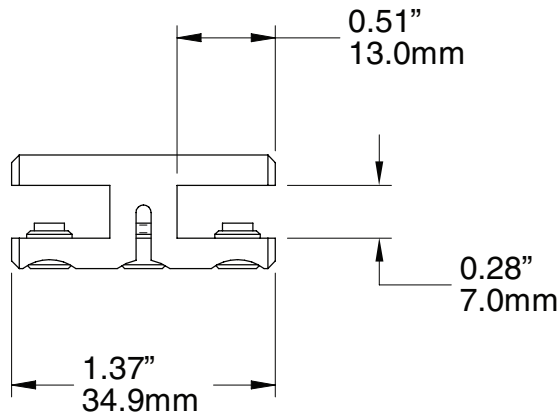
**H3056**

**WEIGHT CAPACITY\***

30 lbs.  
13.5 Kg

**FINISH**

Anodized, Brushed aluminum  
Set screws are stainless steel



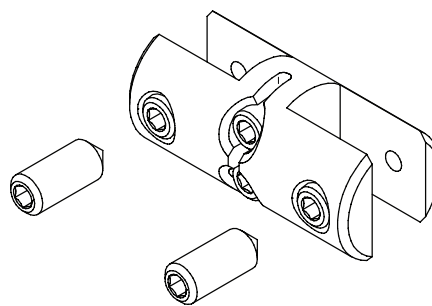
**NOTE**

Supplied with both nylon tipped and cone tipped set screws for mounting display panels via surface clamping or through holes, respectively.

Through holes should be 7.0 mm or 9/32" in diameter.

\*This is the connection between clamp and a steel cable. With all the variables in display panel substrate we cannot anticipate the potential strength of the clamp/panel connection.

**ASHanging.com**  
**866.935.6949**



**PRO SIDE CLAMP,  
DOUBLE SIDED,  
LARGE**

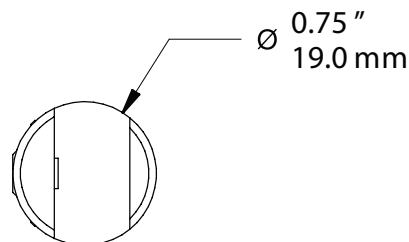
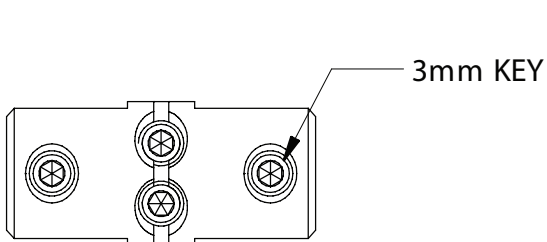
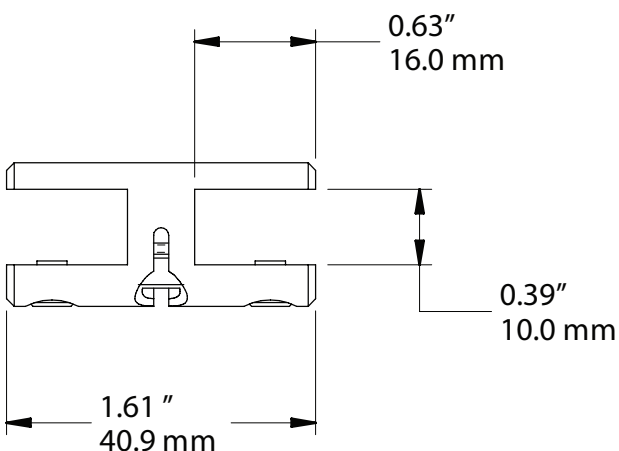
**H3057**

**WEIGHT CAPACITY\***

40 lbs.  
18 Kg

**FINISH**

Anodized, Brushed aluminum  
Set screws are stainless steel



**NOTE**

Supplied with both nylon tipped and cone tipped set screws for mounting display panels via surface clamping or through holes, respectively.

Through holes should be 7.0 mm or 9/32" in diameter.

\*This is the connection between a steel cable to clamp. With all the variables in display panel substrate we cannot anticipate the potential strength of the clamp/panel connection.

**AS Hanging.com**  
**866.935.6949**