

**PRO SIDE CLAMP,
SINGLE SIDED,
MEDIUM**

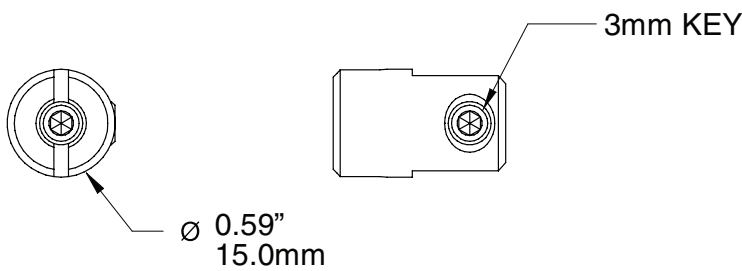
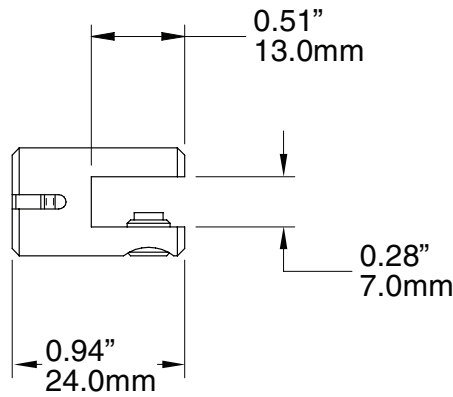
H3051

WEIGHT CAPACITY*

30 lbs.
13.5 Kg

FINISH

Anodized, Brushed aluminum
Set screws are stainless steel



NOTE

Supplied with both nylon tipped and cone tipped set screws for mounting display panels via surface clamping or through holes, respectively.

Through holes should be 7.0 mm or 9/32" in diameter.

*This is the connection between clamp and a steel cable. With all the variables in display panel substrate we cannot anticipate the potential strength of the clamp/panel connection.

ASHanging.com
866.935.6949