

**ECONO SIDE CLAMP,
SINGLE SIDED**

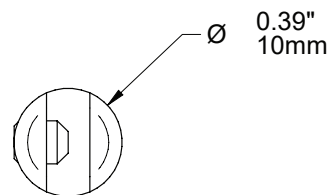
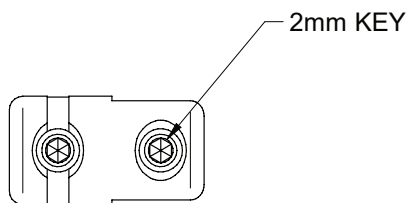
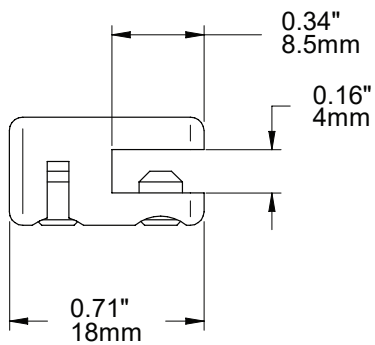
H3040

WEIGHT CAPACITY

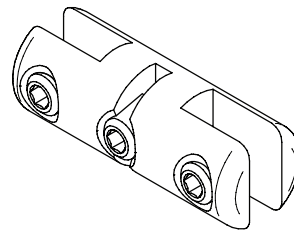
2.5 lbs.
1.1 Kg

FINISH

Anodized aluminium



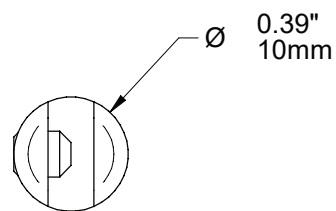
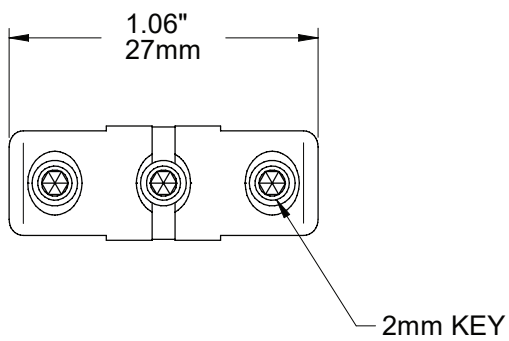
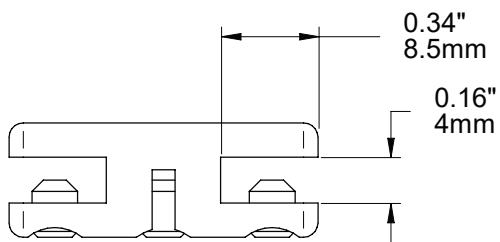
ASHanging.com
866.935.6949



**ECONO SIDE CLAMP,
DOUBLE SIDED
H3042**

WEIGHT CAPACITY
2.5 lbs.
1.1 Kg

FINISH
Anodized aluminium



ASHanging.com
866.935.6949