

**ECONO SIDE CLAMP,
SINGLE SIDED**

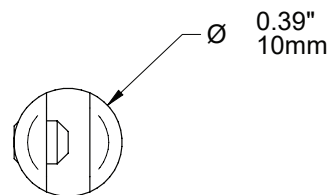
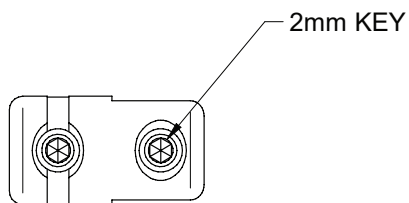
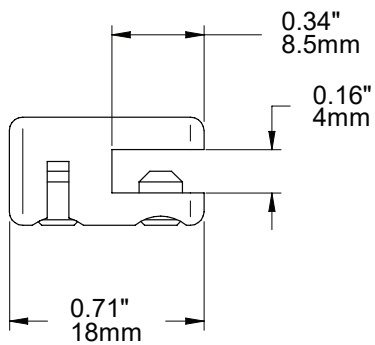
H3040

WEIGHT CAPACITY

2.5 lbs.
1.1 Kg

FINISH

Anodized aluminium



ASHanging.com
866.935.6949