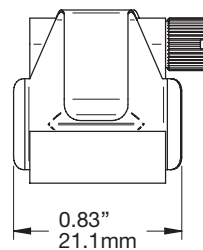
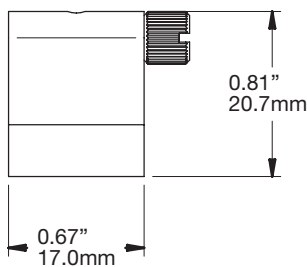
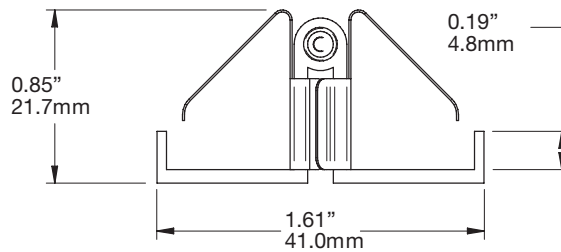
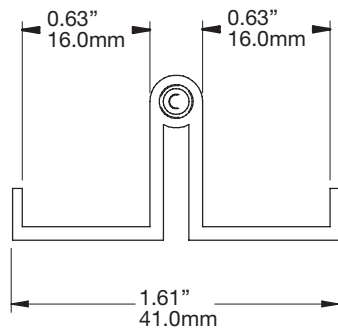
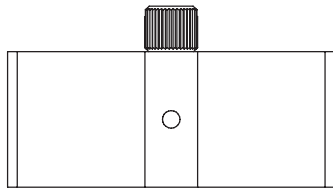


**PANEL HOOK,
TWO-SIDED
H3030**



WEIGHT CAPACITY
22 lbs.
10 Kg



NOTE
Each Panel Hook includes a spring clip. It may be preferred to use the clip with material of 3/16" - 1/2" thick. Avoid using the clip with material greater than 1/2".

ASHanging.com
866.935.6949