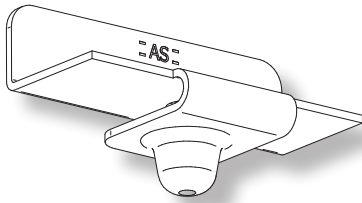
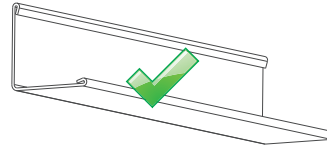


Grid Ceiling Wall Hanger
U5350

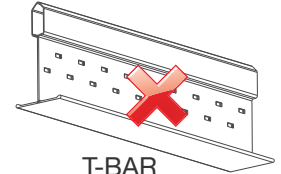


Warning

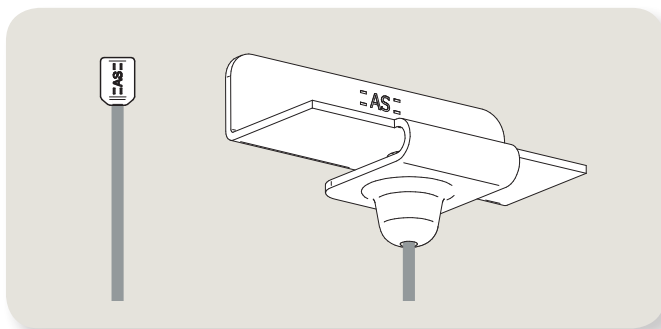
Specially made to use with L-Molding. Not for use with T-Bar.



L-MOLDING

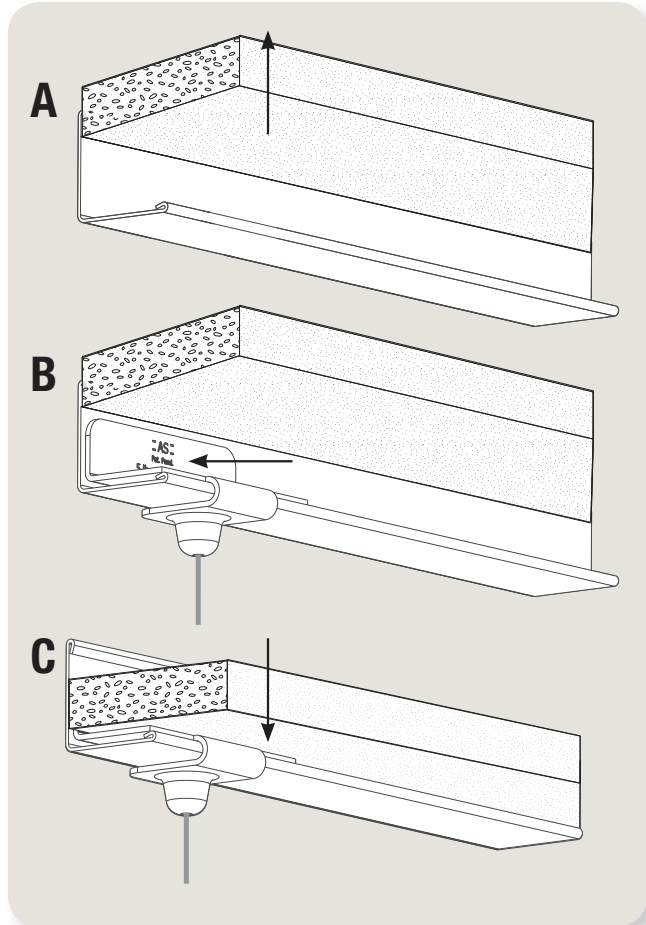


T-BAR



1 Insert a cable in Grid Ceiling Hanger

- Feed a Barrel-End Cable or a Nylon Cord through the top of a Grid Ceiling Wall Hanger.



2 Install in Grid Ceiling

- Push upward on a ceiling tile to expose L-molding. (A)
- Insert Grid Ceiling Hanger onto lip of L-molding. (B)
- Guide ceiling tile back into place. (C)

www.ashanging.com/en/grid-ceiling-wall-hanger

ASHanging.com
866.935.6949

© 2019 AS Hanging Display Systems
All rights reserved, printed in Canada.
J5060pi