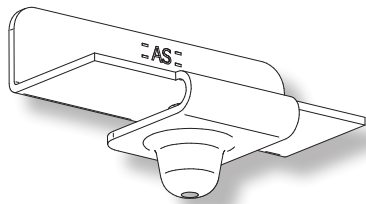
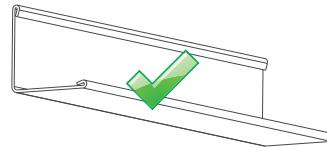


## Drop Ceiling Hanger, Edge Molding U5350

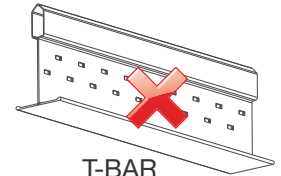


### Warning

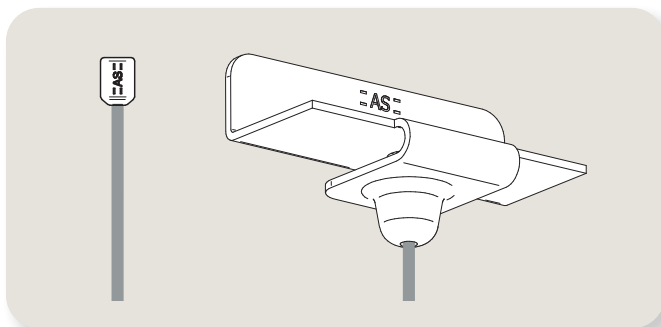
Specially made to use with L-Molding. Not for use with T-Bar.



L-MOLDING

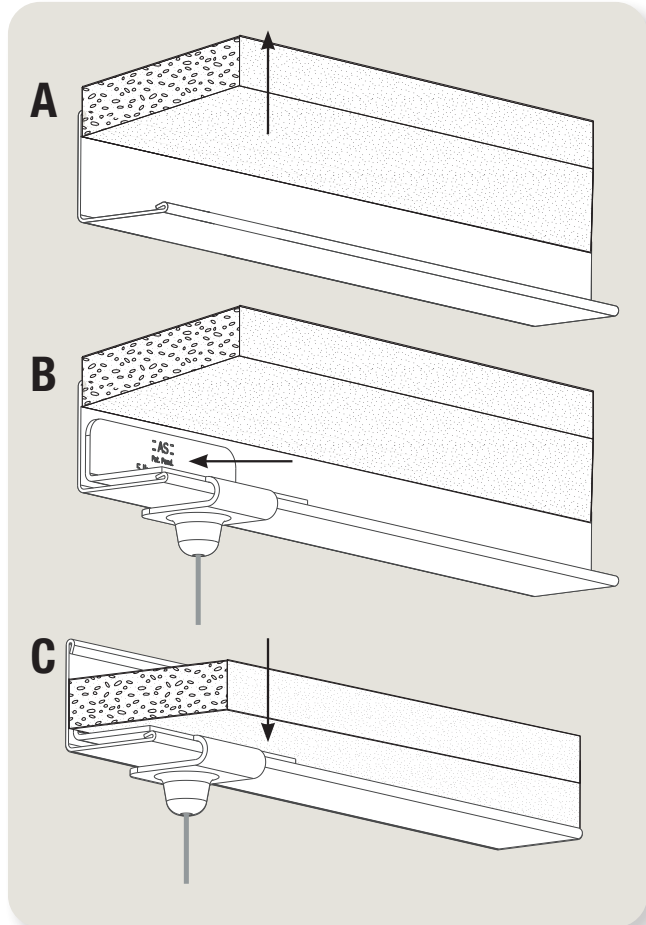


T-BAR



### 1 Insert a cable in Grid Ceiling Hanger

- Feed a Barrel-End Cable or a Nylon Cord through the top of a Grid Ceiling Wall Hanger.



### 2 Install in Grid Ceiling

- Push upward on a ceiling tile to expose L-molding. (A)
- Insert Grid Ceiling Hanger onto lip of L-molding. (B)
- Guide ceiling tile back into place. (C)

[www.ashanging.com/en/grid-ceiling-wall-hanger](http://www.ashanging.com/en/grid-ceiling-wall-hanger)

If you have any questions, please call our Customer Service Center at 866-935-6949.

ASHanging.com  
866.935.6949

© 2023 AS Hanging Display Systems  
All rights reserved, printed in Canada.  
22A-26