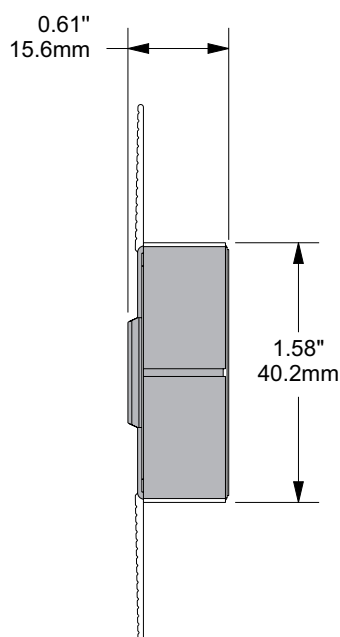


**DISPLAY REVEAL
END-CAP**

B1005

WEIGHT CAPACITY
110 lbs. / linear foot*
55 Kg / 300 mm

MATERIAL
Stainless Steel



NOTE
The End-Cap is shipped already pre-assembled on a 16.875" wide section of Display Reveal.

*Weight Capacity is for the Display Reveal Track when installed as specified, not End-Cap.

ASHanging.com
866.935.6949