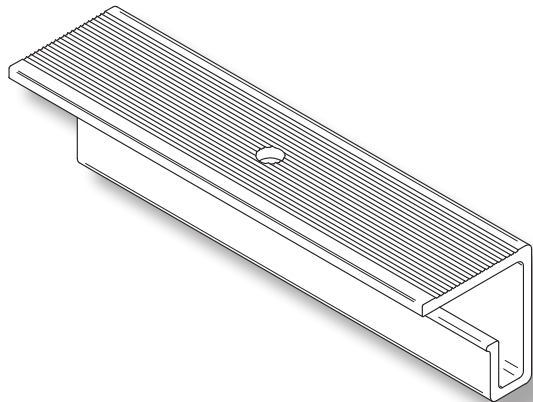
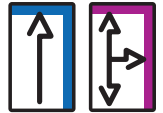


## Classic Ceiling Track A1008

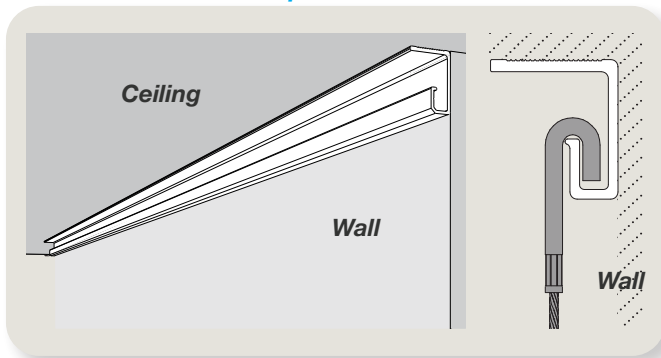


### Warning

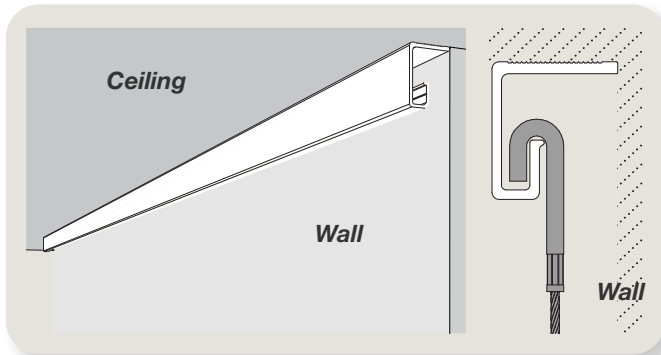
The track is supplied with screws and TripleGrip™ plastic screw anchors that are suitable for mounting the track to wall-board, lath and plaster, concrete, masonry block, structural lumber and metal studs. All holes in track should be filled with a suitable screw/fastener combination.

Property damage and personal injuries can occur from track mount failure. To prevent such failure it is the responsibility of the installer to select a suitable fastener for a particular installation.

### Open Face

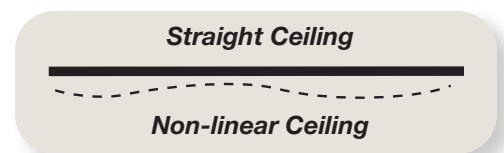


### Closed Face



## 1 Orientation

- Normal track orientation is horizontal with the mounting surface against the ceiling.
- Open face installation allows for the cable/rod to closely follow the adjacent wall.
- Closed face installation is more discreet but the cable/rod will track further from the wall.
- The ceiling should be straight, Classic Ceiling Track is rigid and does not easily bend.



### NOTE

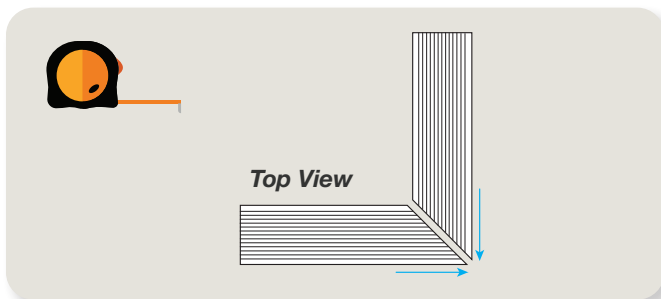
While the illustrations to the left feature cables, this track is also compatible with rods.

## 2 Measure

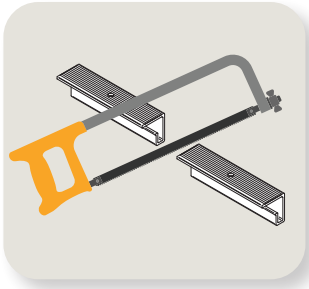
- Measure your wall segments. For a perfect look that blends into the decor, install your tracks wall-to-wall.

### TIP

To join two tracks at an inside/outside 90° corner, cut both ends at 45° to have a perfect fit.



### Proper Blade

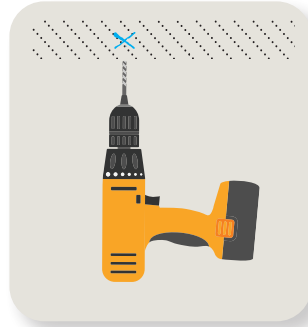
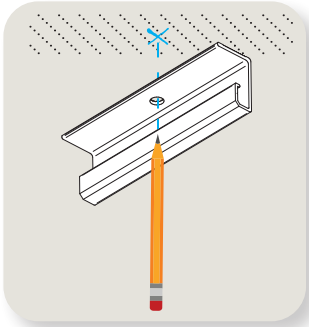


## 3 Cut or Trim Track

- Cut track as needed and remove any burrs. Straight and burr-free cuts will make seams between adjoining track almost invisible.

### TIP

Cut the track with a hack saw and miter box or power miter saw with proper blade.



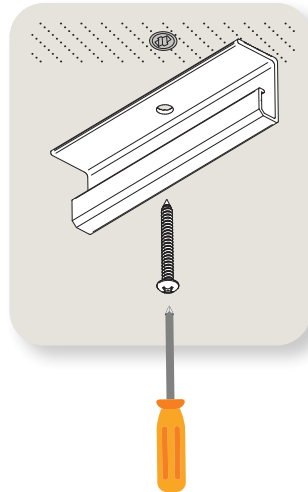
## 4 Mark and Prepare Holes

- Trial place each track length and mark mounting holes.
- Use a structural detector or drill 1/16" pilot holes to probe for wood or metal structure.

### Anchor



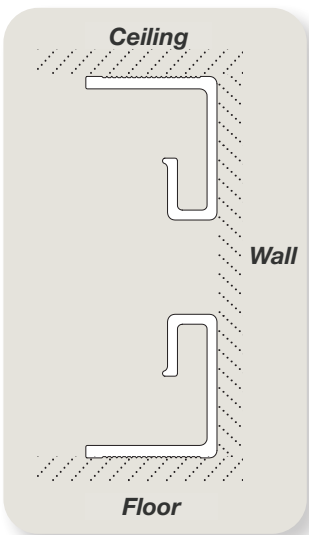
### Colored Screw



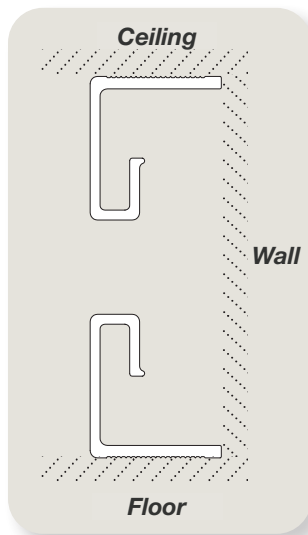
## 5 Mounting Track

- If no structure is present, expand the hole to 1/4" and insert supplied screw anchors.
- Fasten track to prepared holes with supplied fasteners.

### Open Face



### Closed Face



## 6 Options

- For Tensioned Cables/Rods you will need a second, lower track. Mount that one opposite of the upper track with the mounting surface against the floor. Use Cable Tensioners or Rod-End Hangers (sold separately).