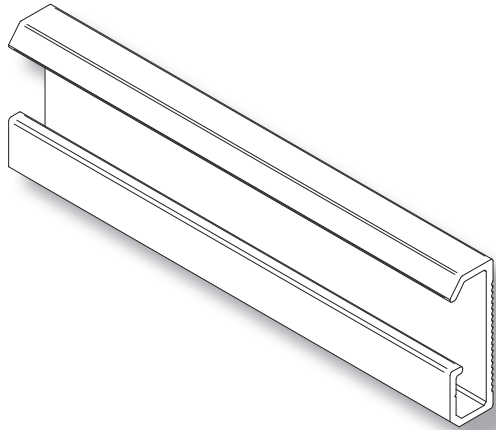


Wall Track A1004

Compatible Systems
Cable System and Classic Gallery System



Warning

The track is supplied with screws and plastic screw anchors that are suitable for mounting the track to wall-board, lathe and plaster, concrete, masonry block, structural lumber and metal studs. All holes in track should be filled with a suitable fastener/fastener combination.

Serious property damage and personal injuries can occur from track mount failure. To prevent such failure it is the responsibility of the installer to select a suitable fastener for a particular installation.

1 Orientation

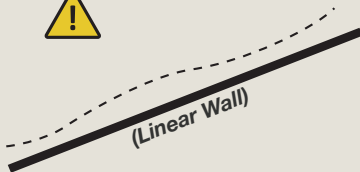
- Normal track orientation is horizontal with large lip at the bottom.

TIP

Track may be mounted in a lower position to achieve a Tensioned Cable solution. In this case the track will be mounted with the large lip at the top. (See Step 7)



Typical Orientation



(Linear Wall)

2 Check Walls

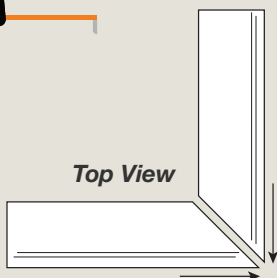
- Wall Track is rigid and does not easily bend. Walls should be quite linear. Review the wall segments that are planned to receive the track. Check that the wall is linear.

3 Measure

- Measure your wall segments.

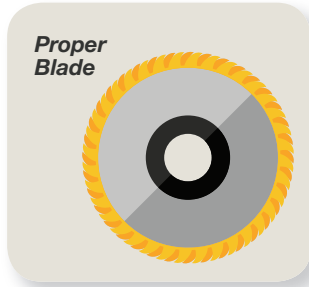
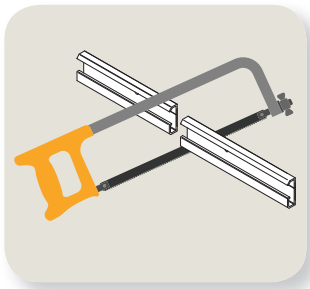
TIP

Joining two tracks at an inside/outside 90° corner? Cut both ends at 45° to have a perfect fit.



Top View

Tip

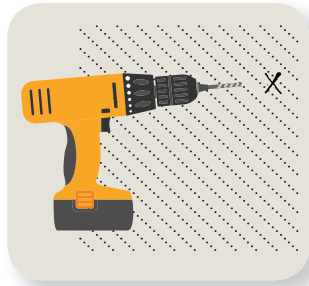
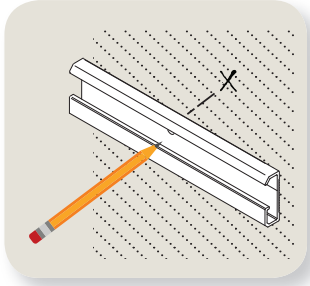


4 Cut or Trim Track

- Cut track as needed and remove any burrs.

TIP

Cut the track with a hack saw and miter box or power miter saw with proper blade.



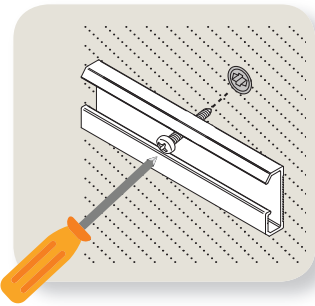
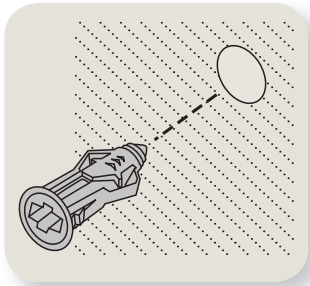
5 Mark and Prepare Holes

- Trial place each track length and mark mounting holes.

TIP

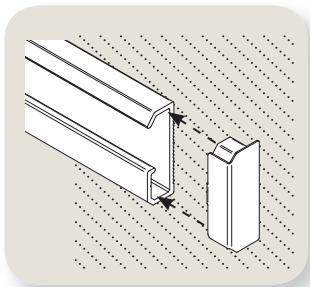
Use a level to make certain track is level.

- Drill $\frac{1}{16}$ " pilot holes to probe for wood or metal structure.
- If structure is present, proceed to Step 6.



6 Mounting Track

- For each hole where a screw anchor will be used (there is no structure), expand the hole to $\frac{1}{4}$ " and insert supplied screw anchor.
- Fasten track to prepared holes with supplied (or alternate) fasteners.



7 Options

- Finish exposed ends with End Caps, sold separately.
- For Tensioned Cables/Rods you will need a second, lower track. Mount that one opposite of the upper track with the large lip at the top.