

**CLASSIC WALL TRACK**

A1004

**COMPATIBILITY**

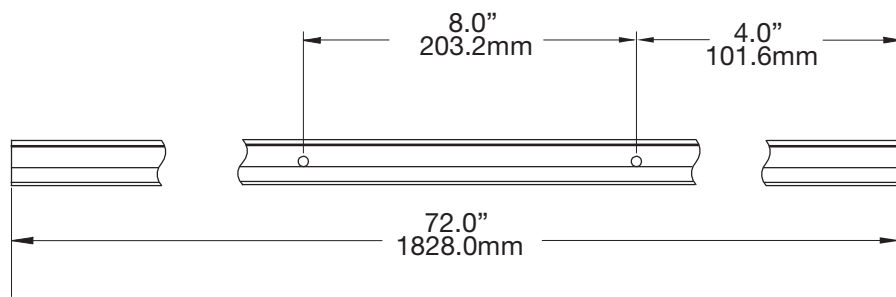
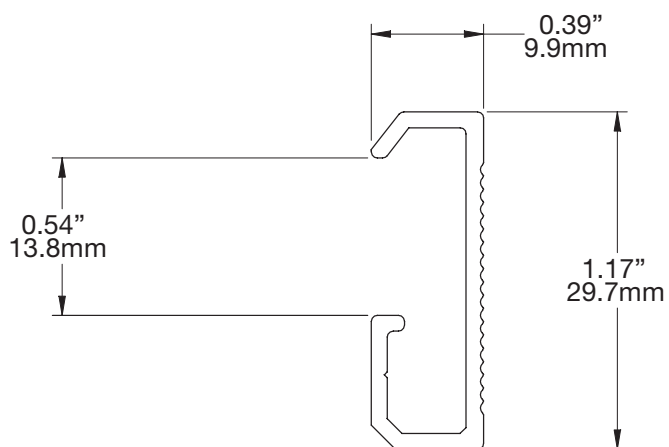


**WEIGHT CAPACITY**

50 lb/ft (74 kg/m)

**FINISH**

Anodized: Silver Satin, Black  
Powder Coated: Warm White (semi-gloss)



**NOTE**

Includes nine (9x) each #6 x 1.25" colored screws (painted to match the track color) and TripleGrip™ anchors.

ASHanging.com  
866.935.6949