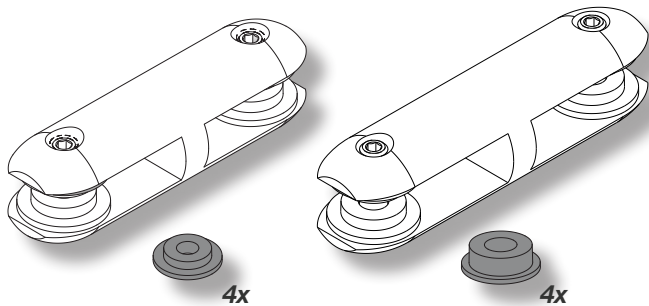


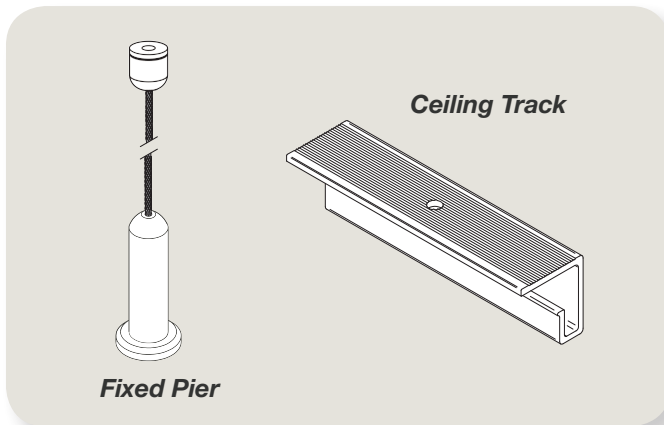
## Top-Bottom Clamp

### H3070 / H3071



### Warning

Top-Bottom Clamps are designed for use with tempered monolithic glass sheet and includes bushings to buffer the glass from contact with metallic hardware. These must be used if display panels are made of glass. Bushings are optional when panels are made of other materials. Load is to be applied only in a vertical orientation.



## 1 Preparation

- Install the upper support system (i.e. Fixed Piers, Ceiling Track, for example) that will be used to support the presentation. Refer to respective Installation Guides that are supplied with these products.
- Select steel/stainless steel cables (i.e. P-End, J-End, etc.), that are compatible with the upper support system. For the purposes of the guide it is presumed that panels (glass or other substrate) are suspended by use of Top Clamps. Install upper panel at this time.

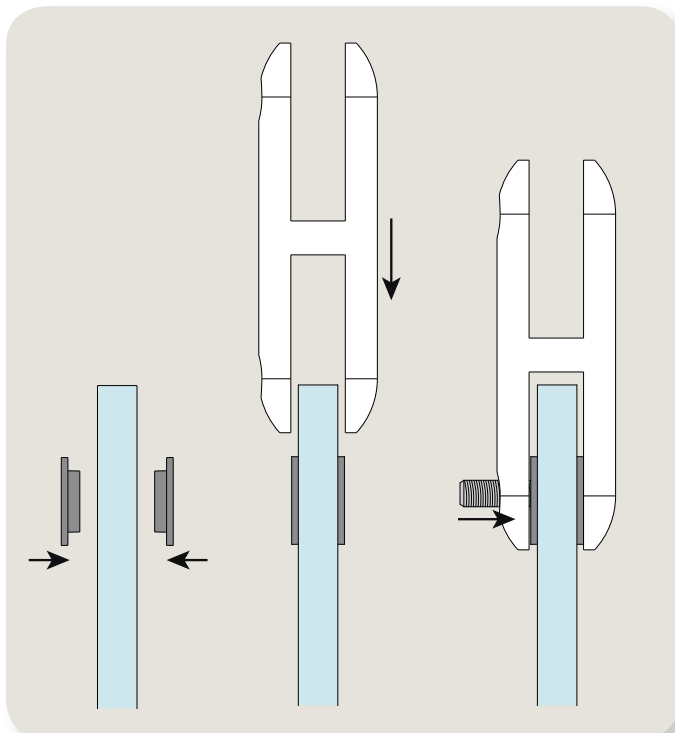


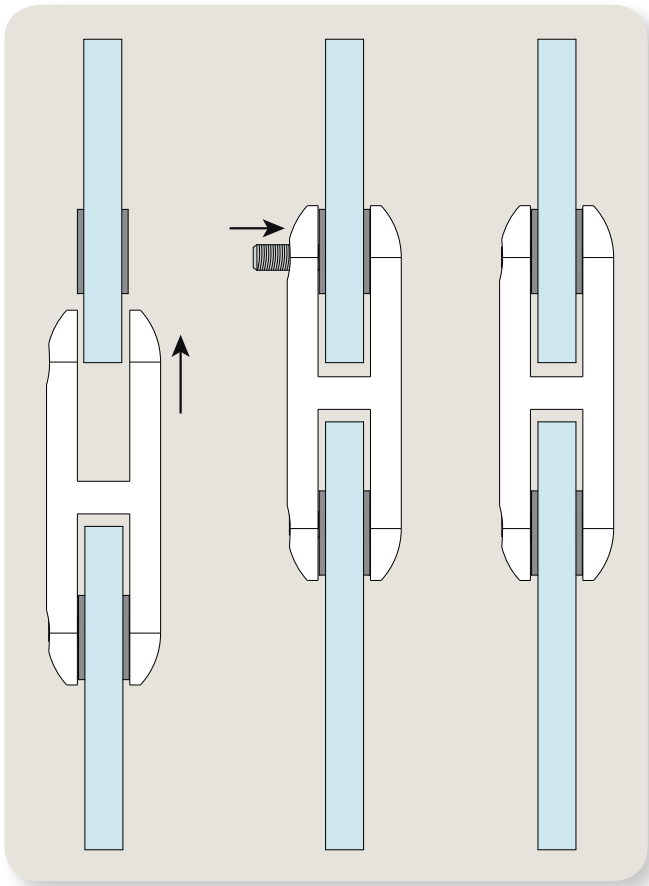
### NOTE

See Installation Guide for Top Clamps prior to proceeding.

## 2 Install Top-Bottom Clamps on Lower Panel

- Remove and retain the long set-screw on the lower clamp end of the Top-Bottom Clamp.
- Insert one bushing in each side of the prepared hole within the glass panel.
- Slide the Top-Bottom Clamp over the glass and bushings and thread the set-screw into the clamp hole and through the entire assembly. This only need be tightened until the screw bottoms out in the opposite side of the Top-Bottom Clamp.
- Repeat with the second Top-Bottom Clamp for this panel.





### 3 Attach Lower Panel to Upper Panel

- Remove and retain the long set-screw on the upper clamp end of the Top-Bottom Clamp.
- Insert one bushing in each side of the prepared hole within the glass panel.
- Slide the Top-Bottom Clamp over the glass and bushings and thread the set-screw into the clamp hole and through the entire assembly. This only need be tightened until the screw bottoms out in the opposite side of the Top-Bottom Clamp.
- Repeat with the second Top-Bottom Clamp for this panel.



Do not overload one Top-Bottom Clamp with the entire weight of one or more panels during installation.



Care and consideration should be given to avoid exceeding the weight capacity of hardware such as tracks, cables and fittings that are mounted above this attachment.