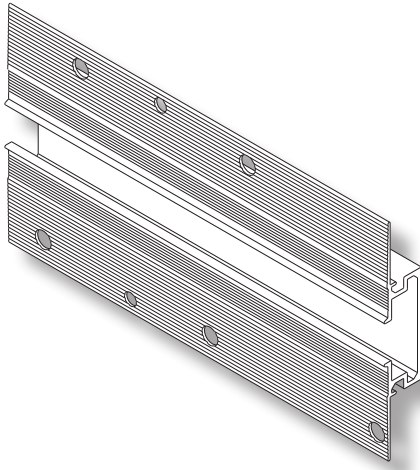


Display Reveal A1025

Compatible Systems
Display Reveal System

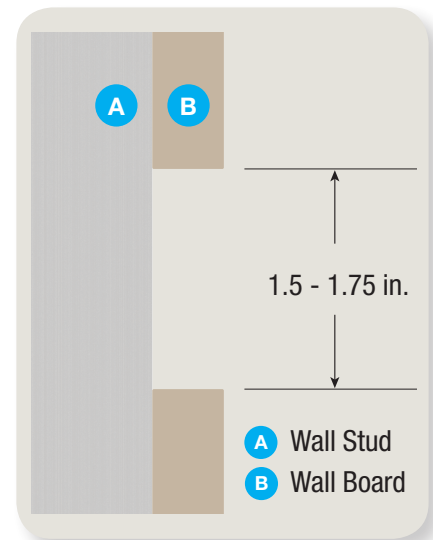


Warning

Only cables and rods made by AS Hanging Display Systems shall be used to suspend loads from Display Reveal. These cables and rods transfer the weight load to the inner chamber and not to the lip of the reveal opening. Compatible cables will be marked with a small manufacturing mark that resembles =AS=. Never shall a load be suspended directly from the lip of the reveal opening. Additional cables, rods and other fittings may be sourced at www.ASHanging.com or by calling 866-935-6949.

1 Environment

- Display Reveal is scaled to be compatible with both 1/2" and 5/8" thick gypsum board. When installed with 1/2" gypsum board, the backside will be flush against wall studs.
- Gypsum board is installed prior to installation of Display Reveal and minimum gap of 1.5" is required to place the reveal. However, the gap should be no larger than 1.75".
- The gap may be created during installation of gypsum board or may be routed into wall board after board installation.
- Wall studs shall be spaced no further than 16" O.C.
- The wall framer shall provide backing, sourced from others, to run horizontally between wall studs and behind wallboard at the elevation of the Display Reveal.
- Backing will be compliant with local building code. Steel backing shall be a minimum thickness of 20GA and shall be 4", and preferably 6" wide. (Note: Display Reveal mounting flanges span a width of 3.25".)
- Suitable backing material may include, but are not limited to, (Metal-Lite) Flush-Mount Backing or Notch-Tite Flat Reinforced Backing, (Scafco) Notched Stud Backing or Kwik-Back Wall Support, (Mantisgrip) Backing Clips or MantisBack™ backing shield, (Clark Dietrich) FastBack™ Backing System or Danback® Backing Plate. Consult your local building code authority.

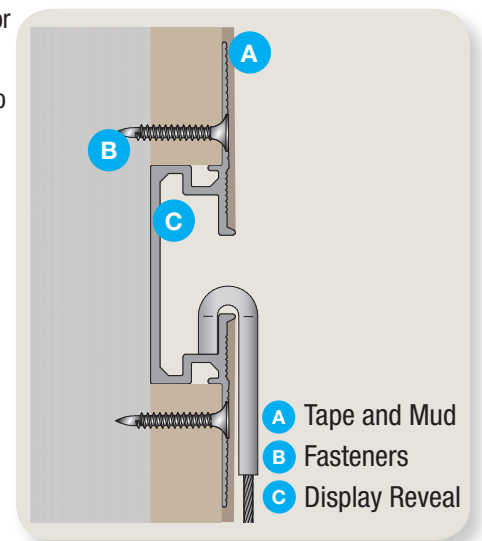


2 Fastening

- Display Reveal will be attached to wall studs using two #8 drywall screws per stud. One screw will be applied in each of the top and bottom Display Reveal flange.
- At the 8" center, between each pair of studs, two #8 screws with countersunk type heads and otherwise suitable to the backing material, shall be applied. One each shall fasten the upper and lower flange of the Display Reveal to backing.
- No span longer than 8" shall be allowed without two fasteners connecting the Display Reveal to backing material or wall studs.
- Torque screws into wall assembly so that surface of head is flush with surface of mounting flange – slight dimple of mounting flange is acceptable.

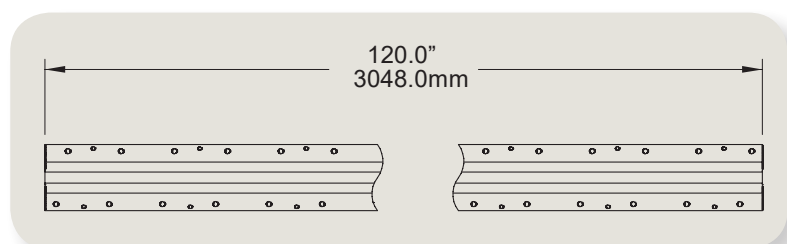
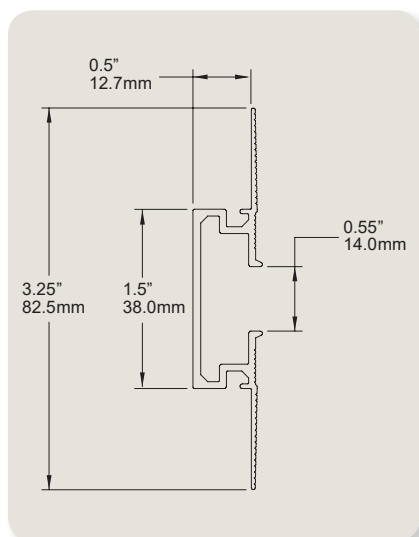
3 Tape & Finish

- Prior to taping, clean flange of any foreign material that may have collected at the job site or oil that may be the result of cutting.
- Fiberglass (mesh) self-adhesive drywall tape (or suitable similar product) shall be applied to flange/wall board joint. Tape shall not overlap opening of reveal.
- Apply joint compound to both mounting flanges and feather the compound at least 8" on final coat.
- Avoid foreign material and joint compound entering the reveal chamber.



4 Cutting, field painting and storage on job site

- Aluminum Display Reveal may be trimmed with a chop or miter saw with a suitable blade. DO NOT use an abrasive cut-off wheel. Always wear eye protection.
- Field painting of clear anodized track is allowable but is the responsibility of the painter and not of AS Hanging Display Systems. Please consult a painting professional to improve paint bonding. Follow manufacturer's specifications. Surface preparation should be expected.
- Unused lengths of Display Reveal should be stored on the job site in a clean dust free location and stored flat where they will not be damaged from other tasks and procedures. Cut offs should be recycled as aluminum.



If you have any questions, please call our Customer Service Center at 866-935-6949.

ASHanging.com
866.935.6949

© 2016 AS Hanging Display Systems
All rights reserved
G2112