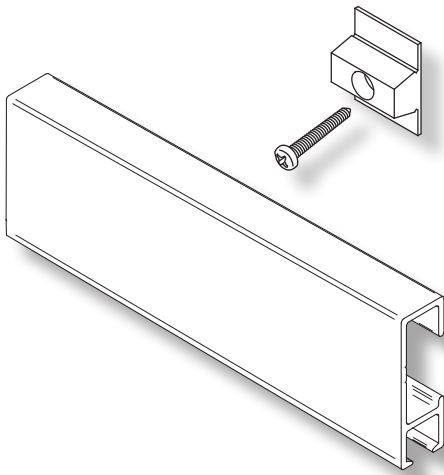


Click Rail Track  
E4001

GRID CEILING INSTALLATION

Compatible System

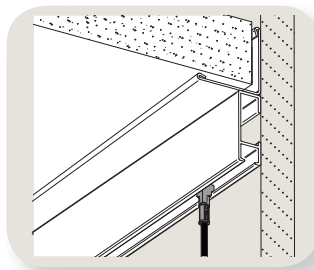
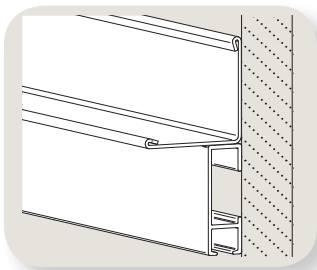
Click Rail System

**Warning**

The track is supplied with screws, plastic screw anchors and mounting clips (Click & Connect Connectors) that are suitable for mounting the track to wall-board, lath and plaster, concrete, masonry block, structural lumber and metal studs. All mounting clips must be used and spaced evenly along the length of the track.

Serious property damage and personal injuries can occur from track mount failure. To prevent such failure it is the responsibility of the installer to select a suitable fastener for a particular installation.

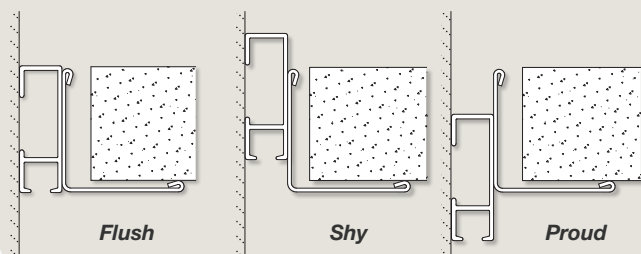
*Please refer to Standard Installation Guide for Click Rail Track for basic installation steps. That guide should be referred to prior to viewing this guide. This guide should be viewed as an addendum and specialized for installations in conjunction with grid ceilings.*



1

**Basic Install**

- The most basic, and predictable, installation is to mount the track immediately below the perimeter L-molding. Installation is just as communicated in the Standard Installation Guide.

**Track in Relation to the Ceiling**

Flush

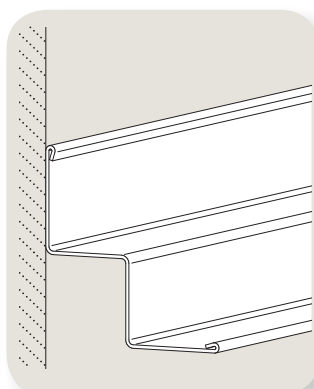
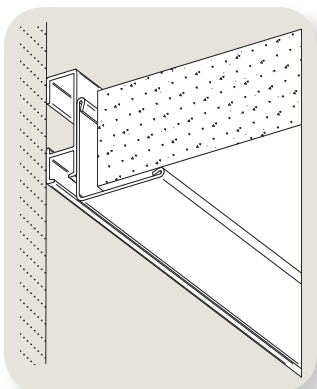
Shy

Proud

2

**Hidden Track**

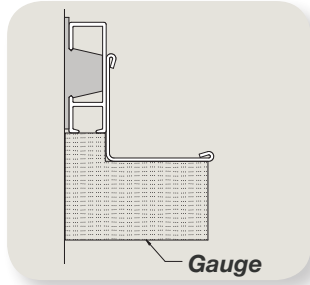
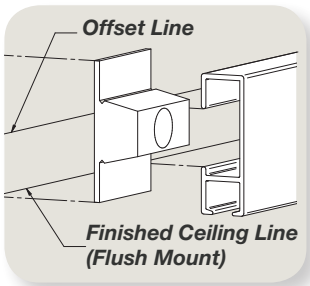
- It is possible to mount Click Rail Track and subsequently attach L-molding, or other perimeter grid ceiling molding, to the face of the track.



3

**Floating Ceiling**

- The same could be done with other wall moldings to create or accentuate the appearance of a floating ceiling. This is done by mounting the track shy of the finished ceiling.



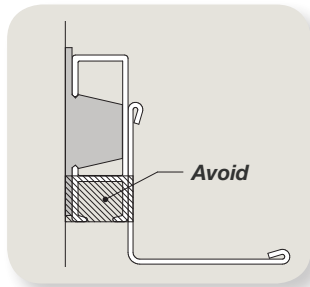
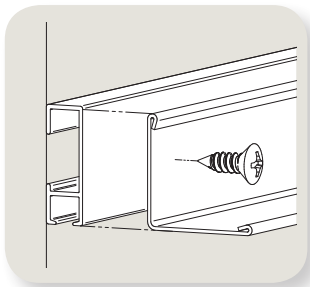
## 4 Ceiling Offset

- Two methods for calculating and managing finished ceiling offset, the distance from the center line of mounting clip screw and the finished ceiling height.

- Run a laser line, or other horizontal line, at the desired finished ceiling height. Then offset the mounting clip accordingly.
- Create a gauge to guide the installation of the L-moulding to the Click Rail Track.

### TIP

The fastener center line is naturally offset from the bottom edge of Click Rail Track by  $1\frac{7}{32}$ " (13.75 mm).



## 5 Fastening Perimeter Molding

- Perimeter moulding may be adhered to Click Rail Track by use of

- Readily available construction adhesive
- Small sheet metal screws
- Or, both of the above.



Guard against excess adhesive or screw tips entering the track lower opening.

### TIP

If fasteners are used, avoid driving a screw into a mounting clip. Mark clip locations on wall above the finished ceiling level to avoid placing a screw into the clip.

