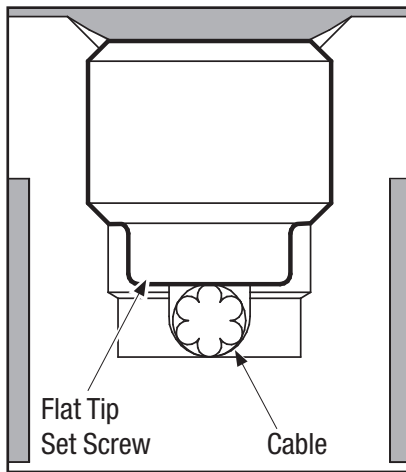
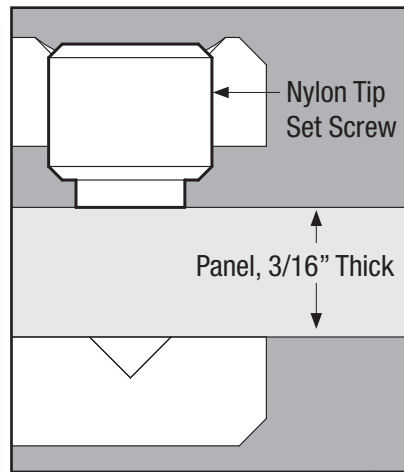




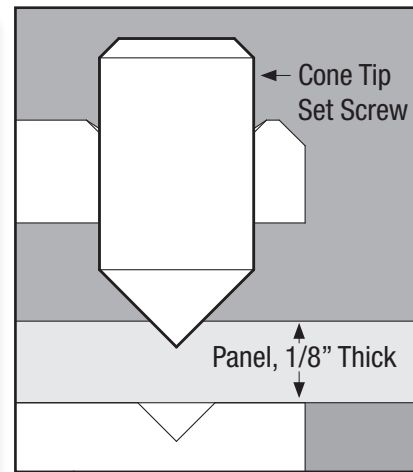
PRO SIDE CLAMP



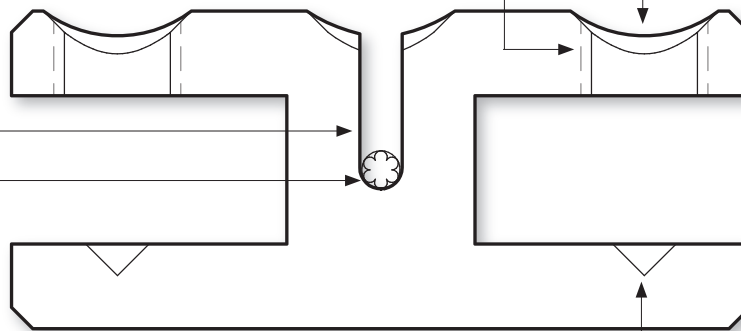
Flat tip set screw is supplied in place of the more common cup point, that can damage cables.



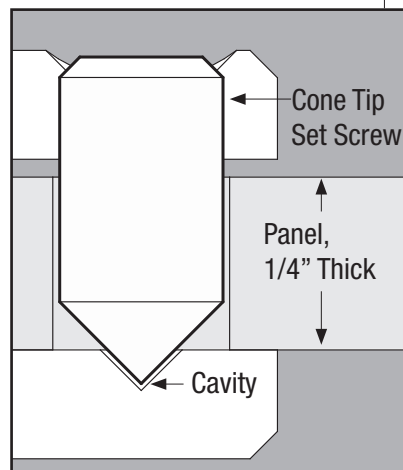
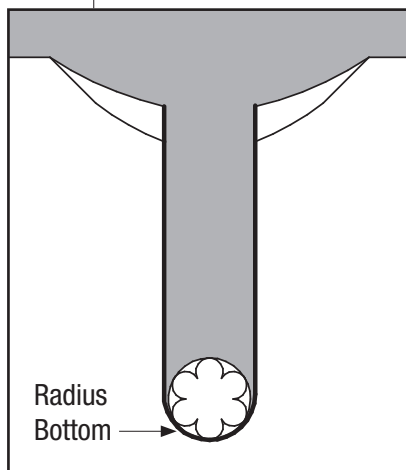
Supplied nylon tip set screw will firmly grasp delicate panels.



Supplied cone tip set screw may be used to bite into tough panel substrates.



Radius bottom of cable slot to best support cable and minimize deformation.



Side clamp body is machined with a cavity to receive the tip of cone tip set screw. Use cone set screw with a pre-drilled (through hole) display panel for strong attachment.

NOTE

These illustrations are based on the medium size Pro Side Clamp. All the concepts apply to other sizes. Dimensions will change. See other Bulletins for various panel thickness compatibilities. All drawings are in section view.

ASHanging.com
866.935.6949